

Single Post Anchor

Part Number 21700



SPECTRUM[®]
Aquatics
A PLAYCORE Company

7100 Spectrum Lane ~ Missoula MT 59808
800.791.8056 ~ www.spectrumproducts.com

You have purchased a Spectrum Aquatics Single Post Anchor. Providing the unit is installed correctly and properly maintained, it will furnish you with many years of trouble free use. It is important to read this entire manual prior to beginning assembly or operation.

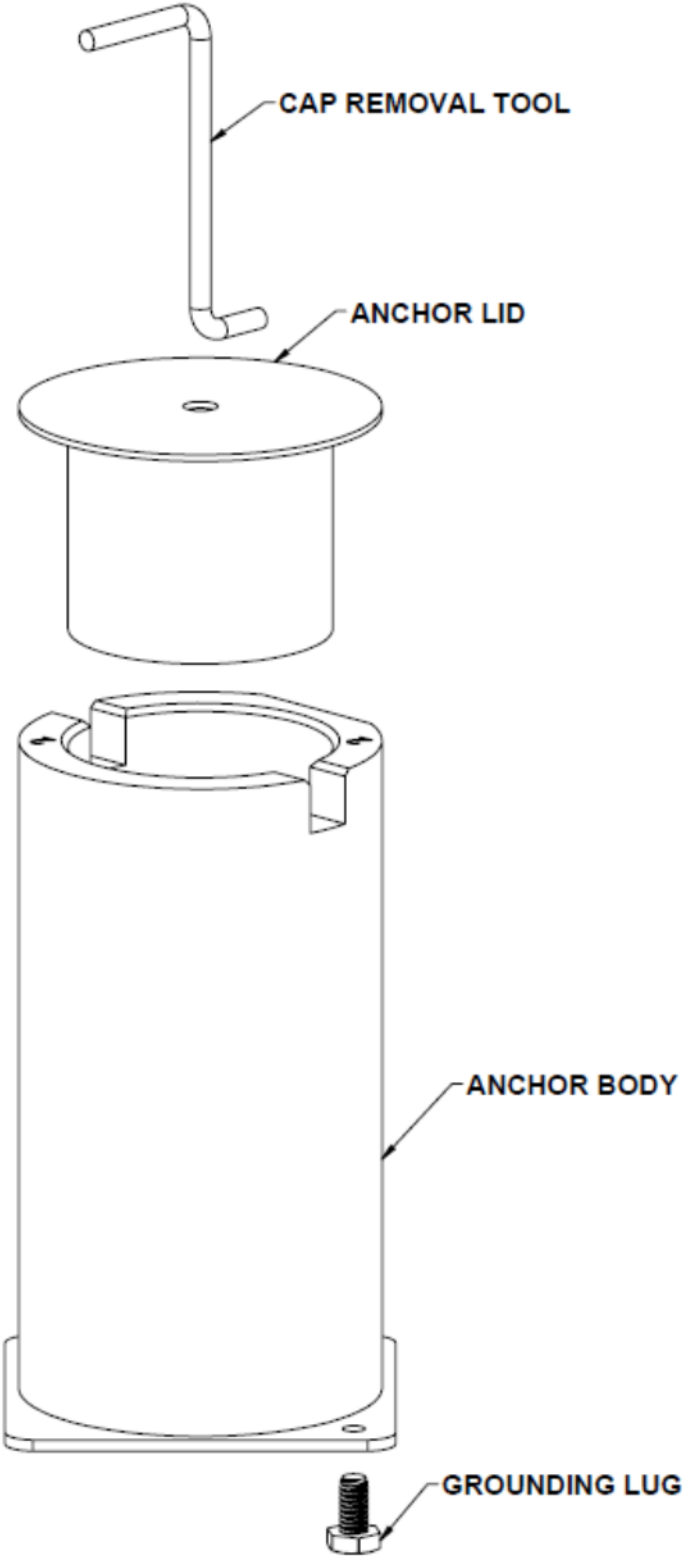
Shipping Information:

Before accepting the shipment from the carrier, inspect for visible damage and match the contents with those listed below. Spectrum is not responsible for lost or damaged freight.

The package will contain all structural components and hardware. The following is a list of the components included with your shipment from Spectrum. Use Components and Hardware Figure, page 2, as a reference to identify each item listed.

1	Single Post Anchor
---	--------------------

Components and Hardware



Installation Overview

Read all instructions before attempting to assemble or install the anchor.

Anchor Placement

The measuring guide is intended to aid the installer in determining the proper location of the starting platform on the swimming pool deck. The measuring guide will also provide Spectrum with the information needed to design the starting platform specifically for the customer's pool. Spectrum starting platforms are custom engineered to comply with the regulations of FINA, FR 2.7, USS regulations 103.11.1-6, and NCAA Article 7. It is important that accurate measurements be provided by the projects architect/consultant and/or the installer, to assure that the platforms installation will comply with the foregoing regulations.

NOTE: If platforms are being ordered before pool construction, architectural drawings and specifications should be used for deck to water level dimensions.

CAUTION: Starting platforms should not be installed on swimming pools with water depth less than 4 feet.

The anchor setback distance will need to be determined first. The anchor setback is the distance from the pool wall to the centerline of the anchor. When determining anchor location, architectural specifications take precedence over all other dimensional requirements. If no specifications are given, Spectrum recommends a setback of 30 inches for most single post blocks. If a different anchor location is desired, please contact Spectrum to ensure that the desired platform/setback is possible. Anchors should not be placed within 6 inches of obstructions such as expansion joints, seams, or cracks in the concrete.

Important: Any unauthorized modification of the block or anchor will void any warranty and may cause damage to the block or anchor.

Measuring the Deck-to-Water Profile

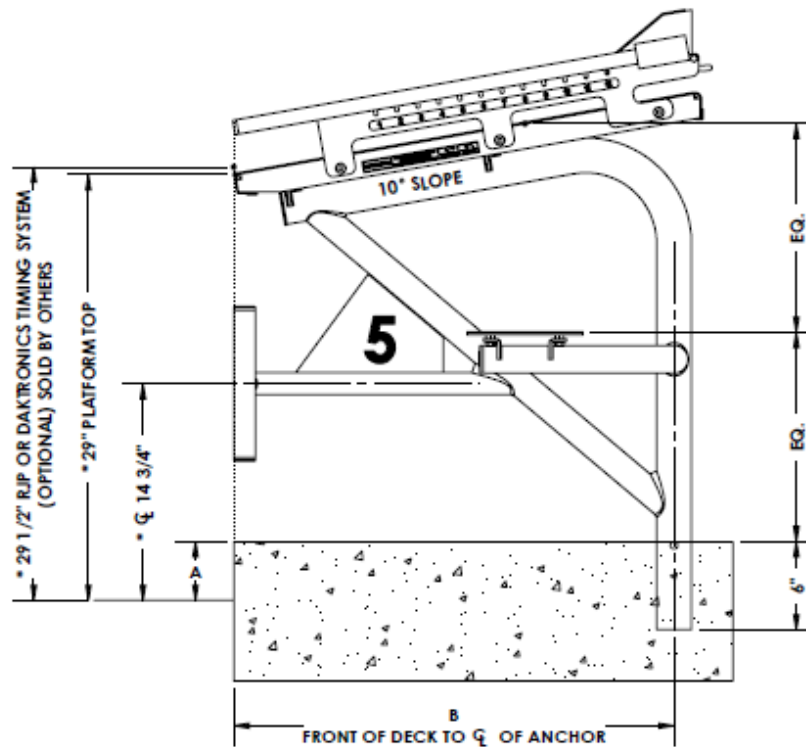
Tools Needed:

- 1) Tape Measure
- 2) Carpenter's Level (At least 3' long)

IMPORTANT: If installing multiple starting platforms on a swimming pool facility, it is imperative that all anchors be installed at the same elevation. It is therefore important that the installer determines the highest point of the swimming pool deck and obtains all measurements from that point.

Fill out the deck-to-water profile diagram included. Use the carpenter's level and tape measure to obtain accurate measurements. See Figure 1. The dimension "A" indicates the distance from the bottom of the carpenter's level to the water surface. The dimension "B" indicates the desired setback.

RECORD BREAKER OR XCELLERATOR STARTING PLATFORM MEASURING GUIDE



NOTE:

Field measurements are required for the product you wish to order. Please provide product accurate measurements to eliminate delays or errors in the design and manufacturing.

* These dimensions are standard production for Spectrum Aquatics and meet FINA, NCAA, USAS, USMS, and NFHS height requirements. Please contact your Spectrum Aquatics sales representative if you would like to vary these dimensions.

Step side is determined by standing behind your block while facing the pool.

If your deck has a slope, dimension A should be taken from the surface of the water to the level where the starting platform post meets the deck.

BLOCK COLOR OPTIONS				FRAME DESIGN	
	BLACK	WHITE	CUSTOM COLOR	CUSTOM LOGO	(A) WATERDRAFT
TOP					(B) SETBACK
STEP					LEFT STEP
WEDGE XCELLERATOR ONLY					RIGHT STEP



7100 Spectrum Lane
Missoula, Montana 59808
406.542.9781 * 800.791.8056
Fax: 406.542.1158
www.spectrumproducts.com

Submitted By: _____

Signature: _____

Date: _____

New Construction Anchor Installation

- a. Place the anchor in the desired location following above guidelines.
- b. Locate a bonding source to bond (ground) the anchor. The steel rebar-bonding grid of the pool deck is the best choice for bonding the anchor. Attach a No. 8 solid copper wire (NEC Section 680-22) from the bonding bolt on the base of the anchor to the bonding grid.
- c. Secure anchor in place – proper height – anchor may be cemented in place. Set the anchor so that the finished top is 1/8” to 1/4” below finished deck level – allowing for anchor cap to be put in place when the platform is not in use.
- d. Use the carpenter’s level to level the anchor, making sure the starting platform mast will be vertically straight up and down (perpendicular to the deck) in all directions. It is important that the mast be vertically straight to ensure proper platform functionality.

IMPORTANT: Anchor must be installed with retention pin slot parallel to pool wall. If retentions pins are not parallel to pool wall, the front edge of the block will not be parallel with the pool wall. Anchor set tool available from Spectrum to aid in alignment process.

- e. Place tape over the anchor hole and around retention pin slots before pouring concrete deck to prevent concrete from entering the anchor opening or retention pin slots.
- f. Pour concrete deck and finish.

Allow the concrete to cure for at least 7-days before installing and using the platform.

Existing Facility Anchor Installation

- a. From the center of the desired anchor location, using a marking pen or chalk, mark a 12” x 12” square. This is the concrete to be removed to accommodate the installation of the lift’s anchor. It is recommended that the anchor be located at least 6” from any expansion joint, crack, drain, or similar structure in the concrete deck.
- b. Use a concrete cutting saw; cut the 12” x 12” square out of the existing concrete deck. Using a heavy/sledge hammer to break the cut section of concrete and remove from the deck. See Figure 2.

Note: If the concrete deck is less than 6” thick, dig out the bottom of the hole to 8” or deeper below the deck surface.

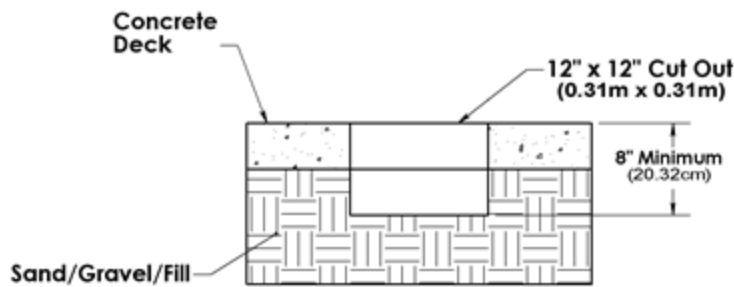


Figure 2

- c. Locate a bonding source to bond (ground) the anchor. The steel rebar-bonding grid of the pool deck is the best choice for bonding the anchor. Attach a No. 8 solid copper wire (NEC Section 680-22) from the bonding bolt on the base of the anchor to the bonding grid.

Note: If the concrete deck is 8" thick or more, an alternative anchor installation method may be used. In lieu of saw cutting the concrete deck, a concrete core drill may be employed to cut a 5" diameter hole at the desired anchor installation location. Epoxy or hydraulic cement may be used to secure the anchor in place. Make sure the anchor is properly bonded.

- d. Secure anchor in place – proper height – anchor may be cemented in place. Set the anchor so that the finished top is 1/8" to 1/4" below finished deck level – allowing for anchor cap to be put in place when the platform is not in use.
- e. Use the carpenter's level to level the anchor, making sure the starting platform mast will be vertically straight up and down (perpendicular to the deck) in all directions. It is important that the mast be vertically straight to ensure proper platform functionality.

IMPORTANT: Anchor must be installed with retention pin slot parallel to pool wall. If retentions pins are not parallel to pool wall, the front edge of the block will not be parallel with the pool wall. Anchor set tool available from Spectrum to aid in alignment process.

- f. Place tape over the anchor hole and around retention pin slots before pouring concrete deck to prevent concrete from entering the anchor opening.
- g. Pour concrete deck and finish.

Allow the concrete to cure for at least 7-days before installing and using the platform.

Please contact Spectrum Customer Service with installation questions or to order parts
406.532.6321