

# Pool Blanket Measuring Guide



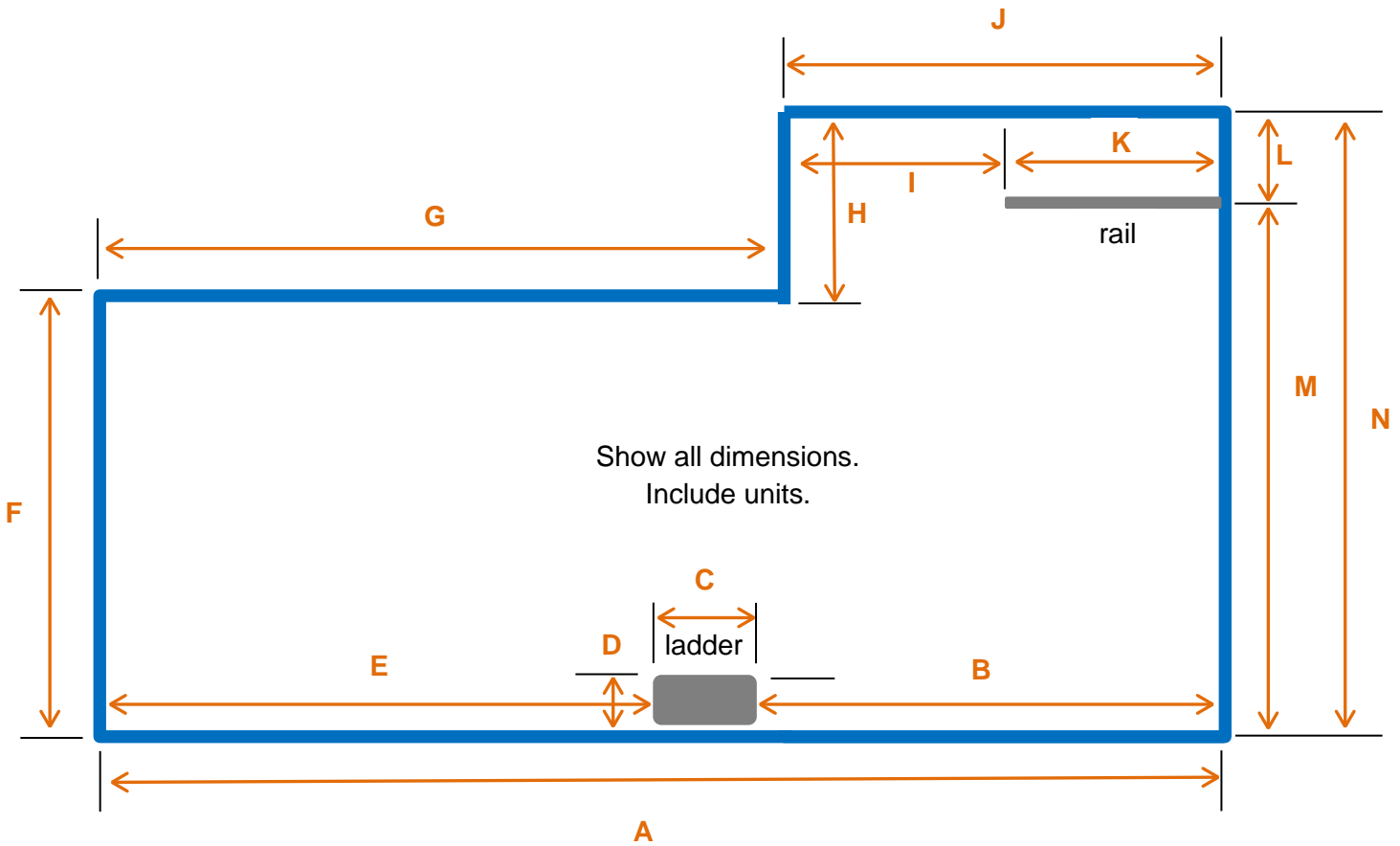
**SPECTRUM**<sup>®</sup>  
*Aquatics*

A **PLAYCORE** Company

7100 Spectrum Lane | Missoula MT 59808 | 800.791.8056 | [www.spectrumproducts.com](http://www.spectrumproducts.com)

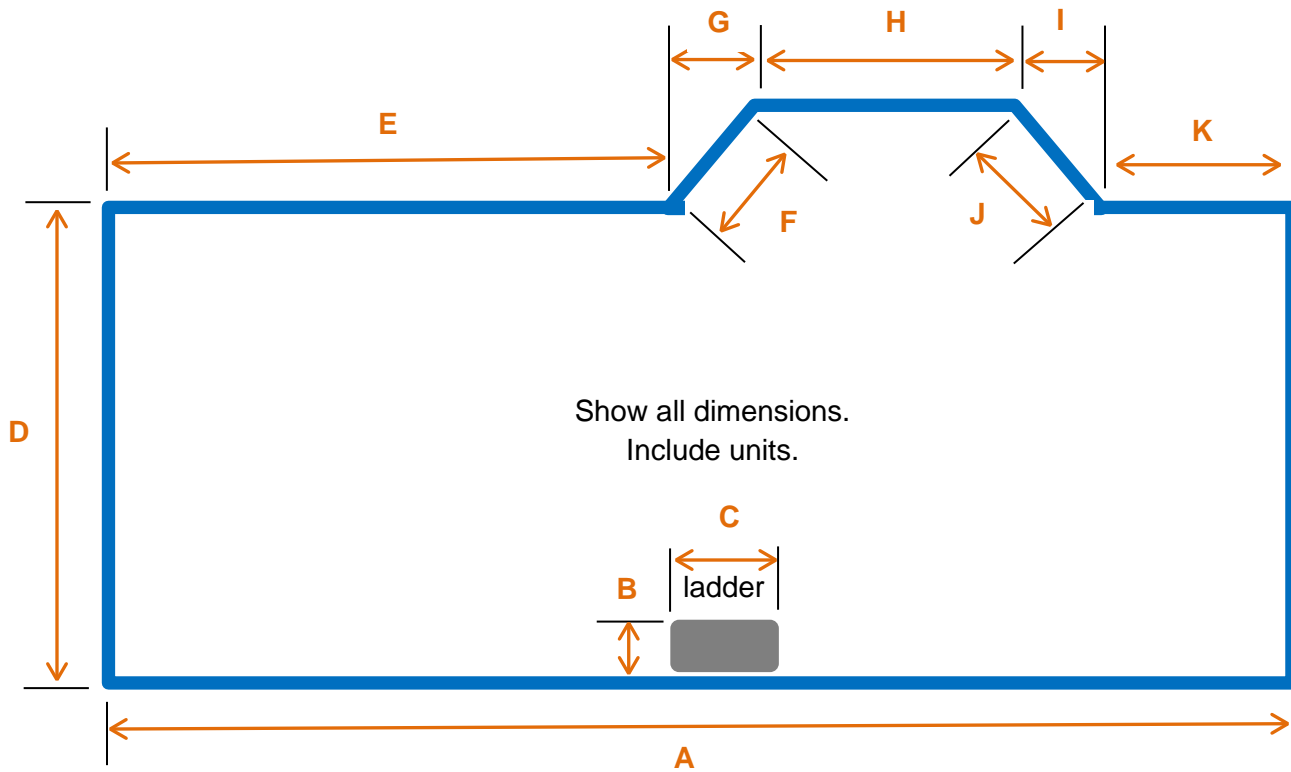
© 2012 EverActive Brands™

# Typical Pool Measuring Guide



1. Measure all lengths and widths of the pool.
2. Show locations and measurements of all rails, ladders, and other entry/exit points, including how far ladders protrude from the deck (as in measurement D).

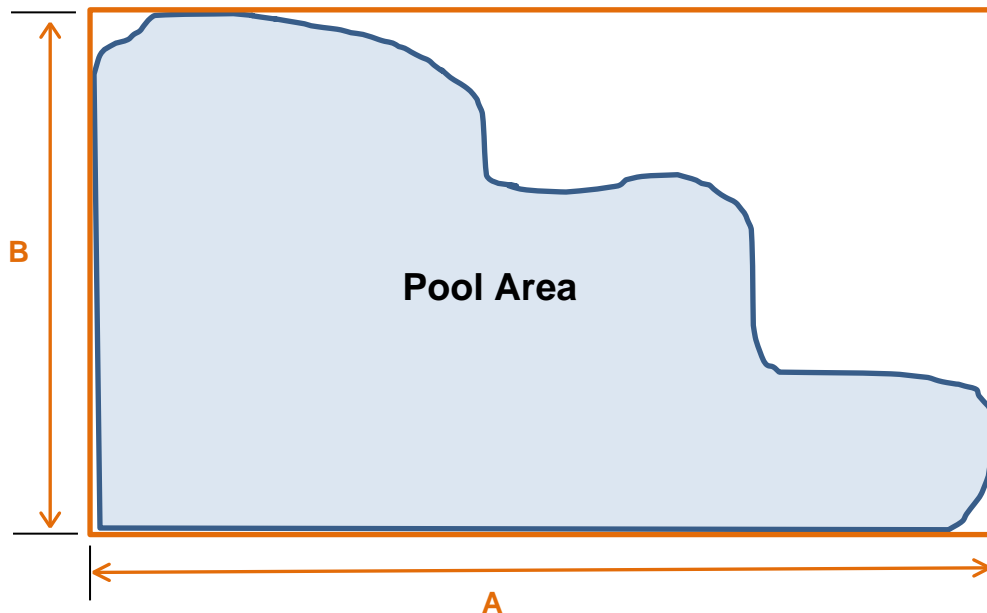
# Typical Pool Measuring Guide for Irregular Shaped Pools



1. Measure all lengths and widths of the pool.
2. Show locations and measurements of all rails, ladders, and other entry/exit points, including how far ladders protrude from the deck (as in measurement B).
3. For angles that vary from 90°, implement a measuring strategy similar to that displayed in segments F through J above.

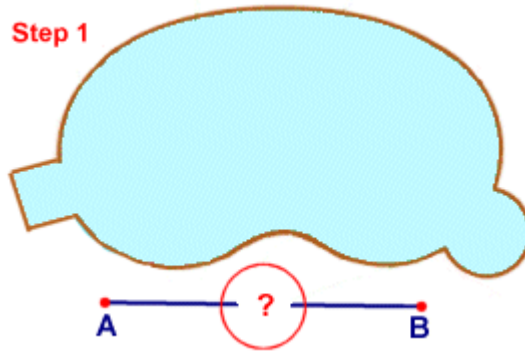
# Measuring Rounded and Irregular Shaped Pools and Spas

1. Obtain a large roll of white or clear plastic sheeting from your local hardware store with a minimum thickness of 4 mil, 6 mil or more is preferred if available. Obtain enough to completely cover the surface of your pool or spa.
2. If multiple pieces of sheeting are required to cover your pool, lay pieces on a flat surface and tape adjacent pieces together on both top and bottom sides for the entire length of the seam.
3. Lay the plastic sheeting over your pool, using weights to hold the plastic in place. Ensure that there is as little sagging and wrinkling in the plastic as possible. Using a permanent marker, outline the shape of your pool and demarcate areas where exits, rails, ladders and stairs exist. Mark "TOP SIDE" on your template to indicate which side faces upwards.
4. Cut away the extra material that extends beyond the edges until you are left with a "cookie cutout" representing the size and shape of your pool. Take care to cut the template accurately to your previously outlined shape. The pool blanket's we create will be based on the plastic sheeting alone and not the marker outline.
5. Clearly mark any desired grommet or hinge locations.
6. In your order, include length and width measurements of the smallest rectangle that can contain your entire pool blanket.
7. Template should be folded flat for shipment. Templates that are wadded up and crushed become dimensionally inaccurate and result in an ill-fitting pool blanket.



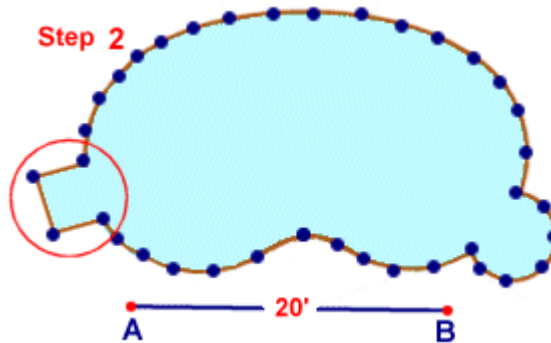
# A-B Measurements

Step 1



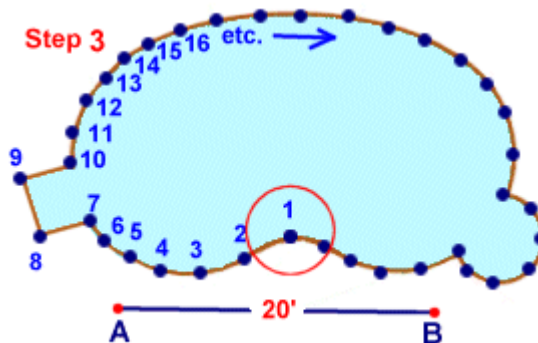
**Step 1.** Establish an "A-B" line that runs parallel to the pool. The line should be at least 4 ft. away from the edge of the water and run at least 2/3rds the length of the pool. "A" must be to the Left of "B". Measure the distance of your "A-B" line and log it on your A-B Log Sheet. In the example, the "A-B" line is 20'.

Step 2

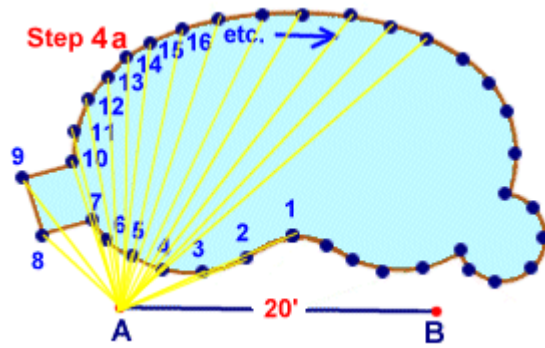


**Step 2.** Using chalk, mark the deck at the water's edge. The marks do not need to be evenly spaced. Marks should be spaced at about 2' or 3' intervals where the shape of the pool is changing directions on moderate curves and 1' intervals on tight curves. In areas where there are no curves (see red circle) place marks at intersecting corners.

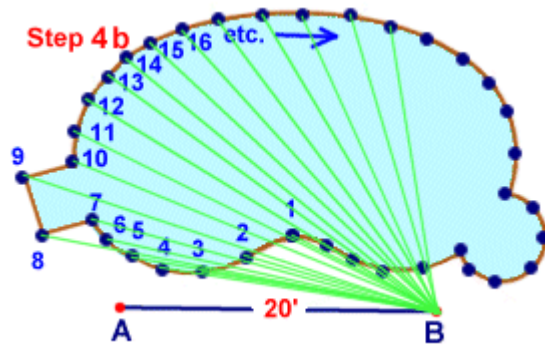
Step 3



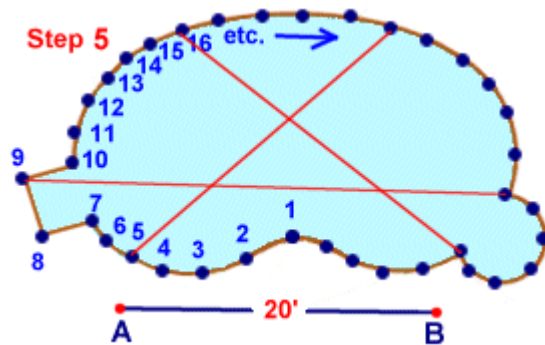
**Step 3.** Beginning close to the central point of your "A-B" line, (see red circle) number all the chalk marks on your pool deck in a clockwise pattern. Continue to number all the points around the pool.



**Step 4a.** Have an assistant hold the end of the tape measure on point "A". Be sure to work clockwise. Measure to each numbered point and place on the A-B Log Sheet.

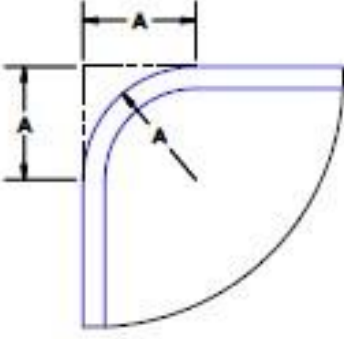


**Step 4b.** Have an assistant hold the end of the tape measure on point "B". Be sure to work clockwise. Measure to each numbered point and place on the A-B Log Sheet.



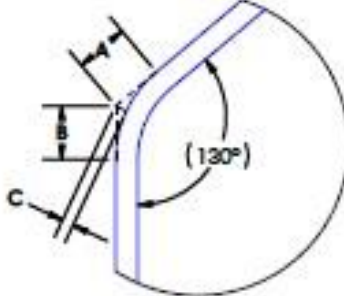
**Step 5.** Provide 2 or 3 diagonal "cross check" dimensions and place them on the A-B Log Sheet. If there are any other items on the deck that are within 2 ft. of the edge of the water that might interfere with the cover, please let us know and we can usually make provisions for them.

# Measuring Rounded and Irregular Areas of Pools and Spas



MEASURING ROUNDED CORNERS THAT EQUAL 90°

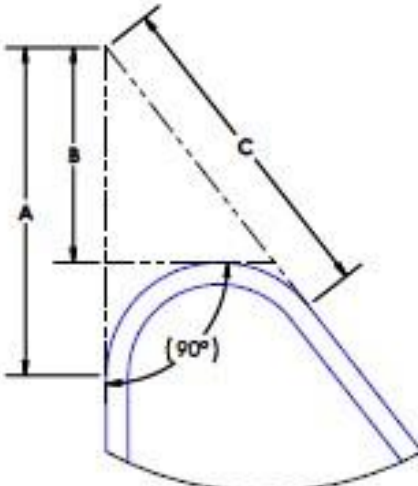
EQUAL TO 90°	
A	



MEASURING ROUNDED CORNERS GREATER THAN 90°

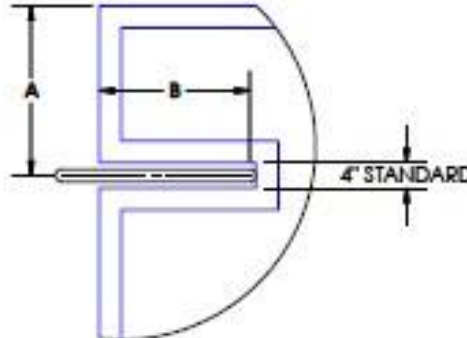
GREATER THAN 90°	
A	
B	
C	

C=PEAK OF THE ARC




MEASURING ROUNDED CORNERS LESS THAN 90°

LESS THAN 90°	
	A
B	
C	



MEASURING RAIL LOCATIONS EDGE OF POOL TO Q OF RAIL

RAIL LOCATIONS	
A	
B	



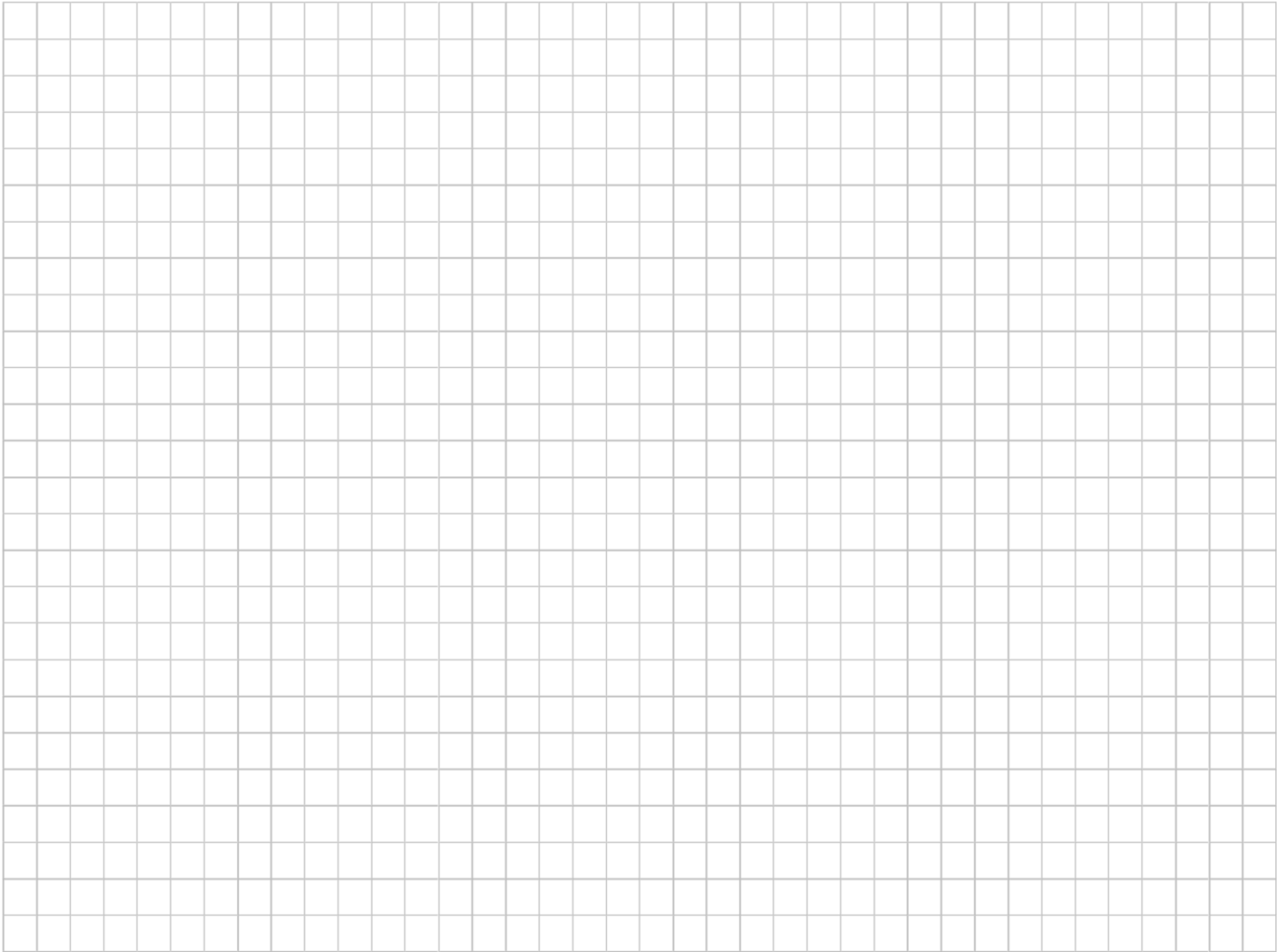
A PLAYCORE Company

7100 Spectrum Lane  
 Missoula, Montana 59808  
 406.542.9781 \* 800.791.8056  
 Fax: 406.542.1158  
[www.spectrumproducts.com](http://www.spectrumproducts.com)

Submitted By: \_\_\_\_\_  
 Signature: \_\_\_\_\_  
 Date: \_\_\_\_\_

## Pool Blanket Order Form

Draw pool blanket diagram here. See pages 2-5 for measuring and labeling guidelines.



**Weight of material (thread count per inch):**

10x10

12x12

10x14

**Edging preference:**

Weighted

Non-weighted

**For irregular or rounded pools\*:**

Length \_\_\_\_\_

Width \_\_\_\_\_

*Include units.  
See page 4, #4 and page 5  
for more info.*

*\*Pool covers with non-90° angles, rounded corners or cut-outs will incur custom service charges. Square or rectangular covers will not.*