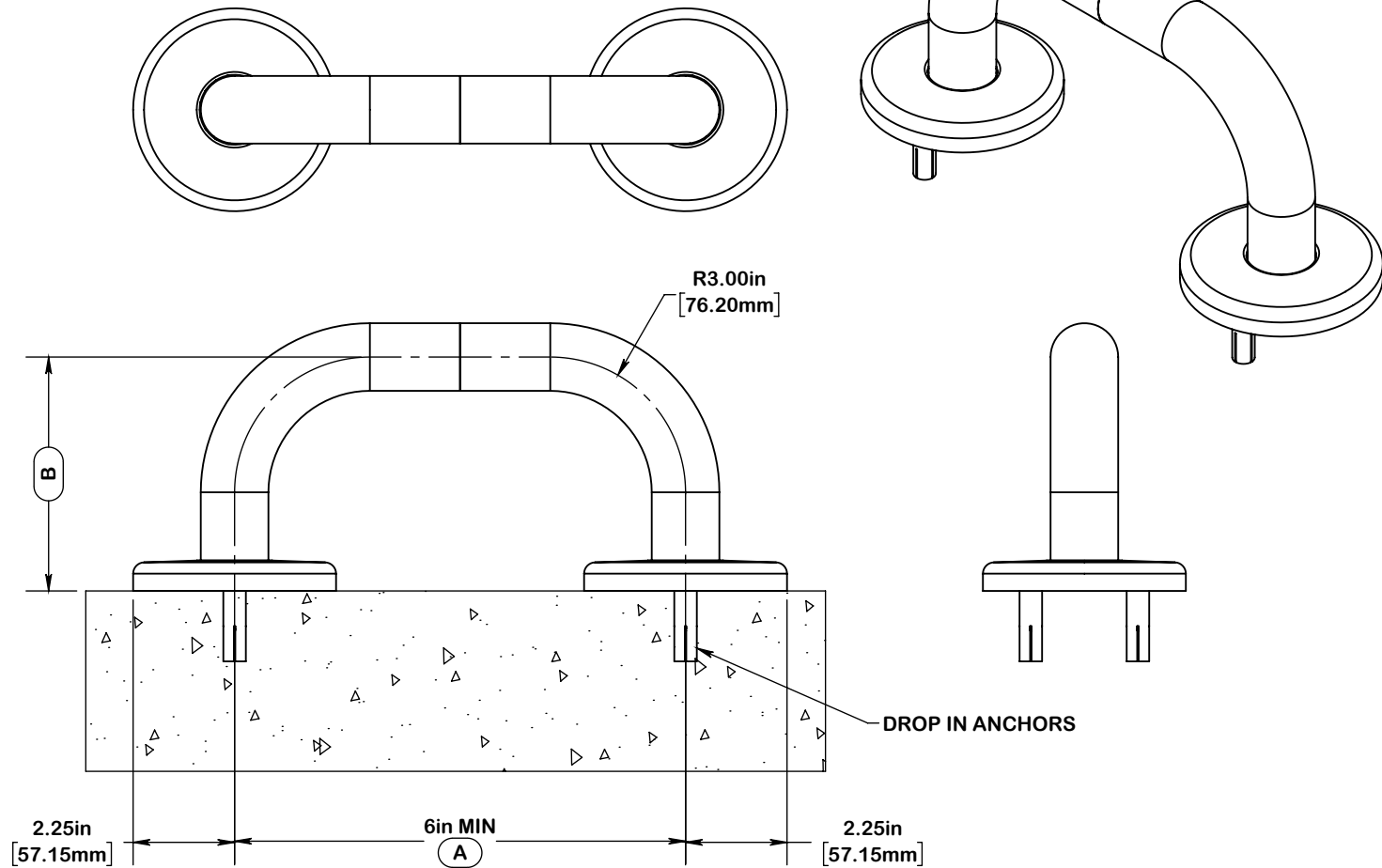
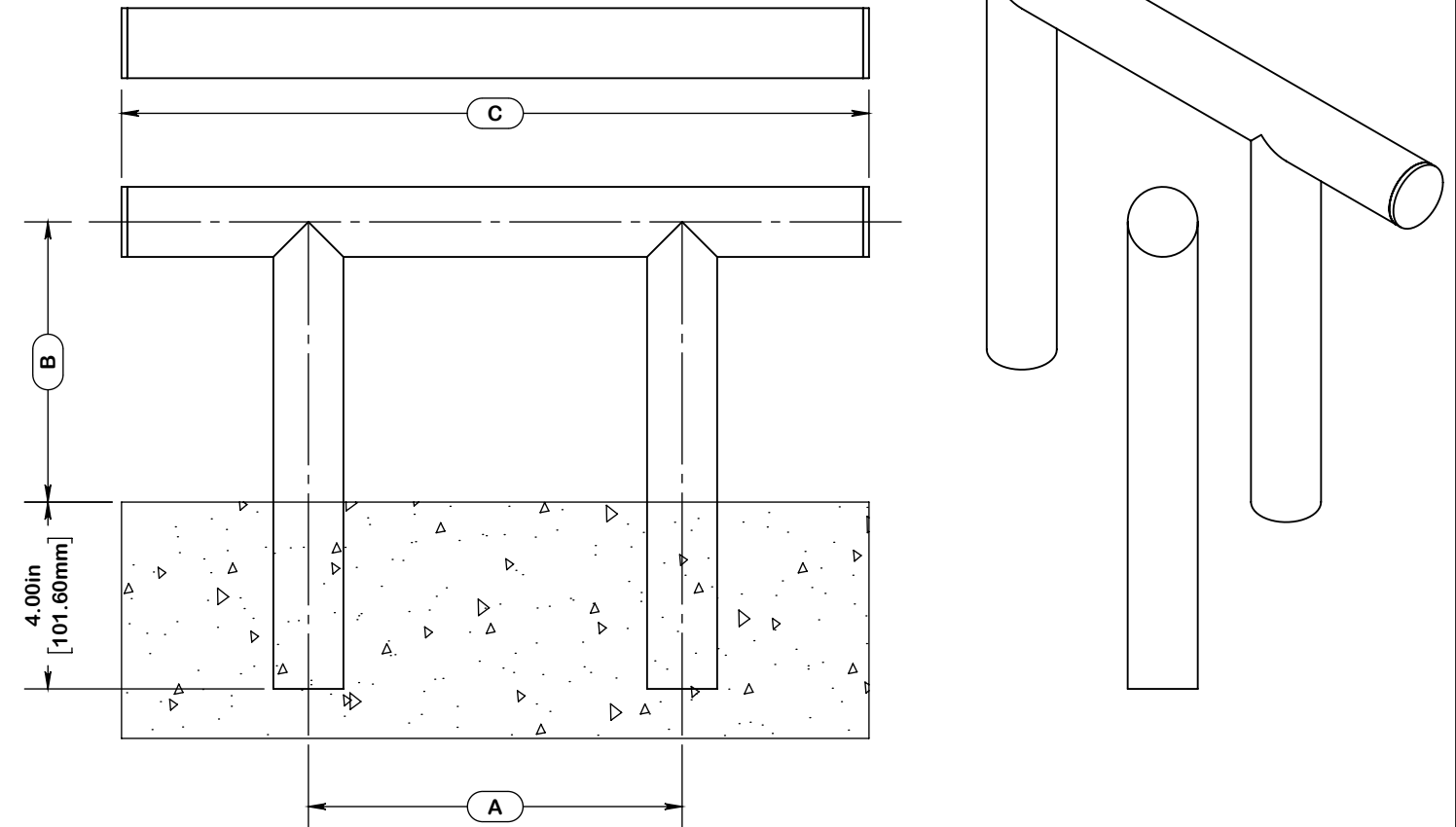


STYLE 1 - BENT
SHOWN WITH FLANGED ANCHORS



STYLE 2 - COPED AND WELDED
SHOWN ANCHORED IN DECK



NOTES:
Field measurements are required for the product you wish to order. Please provide accurate measurements to eliminate delays or errors in the design and manufacturing.

Choose the profile that most closely matches your desired rail and provide the measurements. If your desired rail is not similar to any of these diagrams, please sketch your diagram on the back of this paper and provide us similar measurements as requested on this form.

STYLE (CHECK ONE BOX)

- STYLE 1 - BENT
- STYLE 2 - COPED AND WELDED

ANCHOR (CHECK ONE BOX)

- FLANGE MOUNTED W/DROP IN ANCHORS
(ESCUTCHEON INCLUDED, IF POWDERCOATED 2 PIECE ESCUTCHEON REQ'D)
- ANCHORED IN DECK
(ANCHORS AND ESCUTCHEON SOLD SEPARATELY)

MATERIAL (CHECK ONE BOX)

- ϕ 1.5 OD X .120 WALL 316L SS
- OTHER: _____

	DESCRIPTION	MEASUREMENT
A	VERTICAL ϕ TO ϕ	
B	HEIGHT TO ϕ	
C	HORIZONTAL LENGTH	



7100 Spectrum Lane Missoula, Montana 59808
800.791.8056 www.spectrumaquatics.com

ENGINEERING DATA

PRODUCT:	MG TRANSFER RAIL		
MODEL #:	N/A	CATALOG #:	REVISION:
MATERIAL:			
FINISH #:			

NOTE:

△ DIMENSIONS VARY WITH SPECIFIC APPLICATIONS. SPECIFICATIONS ARE NOMINAL AND ARE SUBJECT TO CHANGE. PLEASE CONTACT SPECTRUM AQUATICS FOR CUSTOM APPLICATIONS