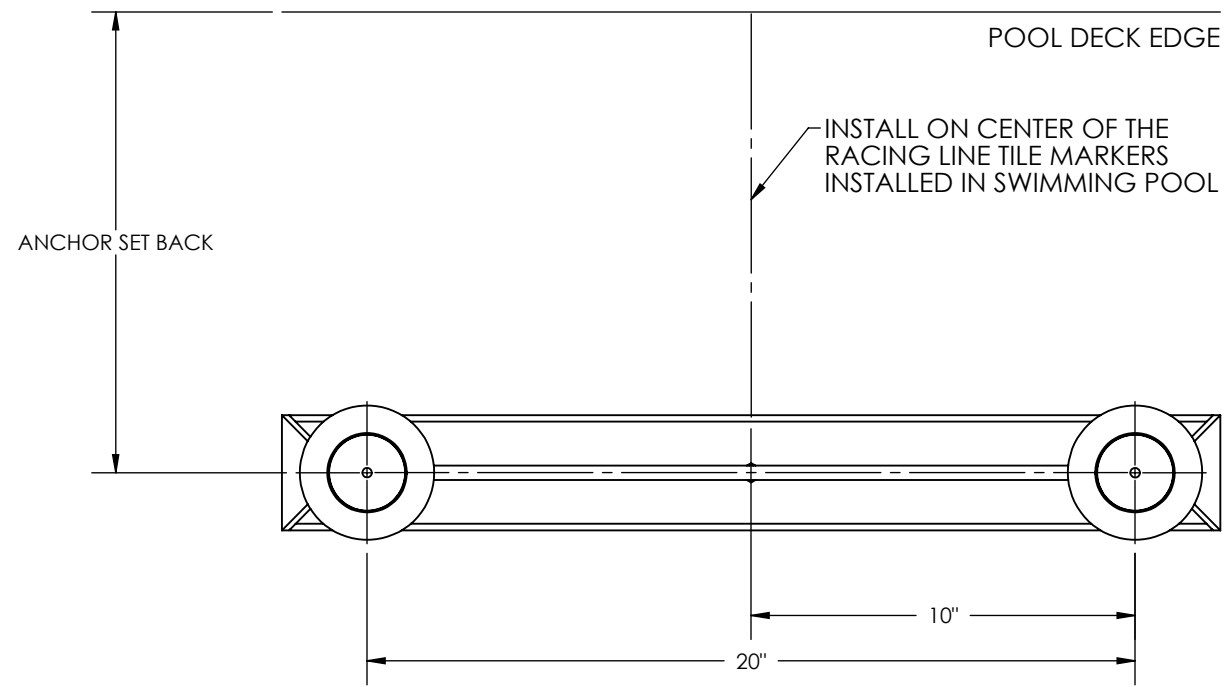
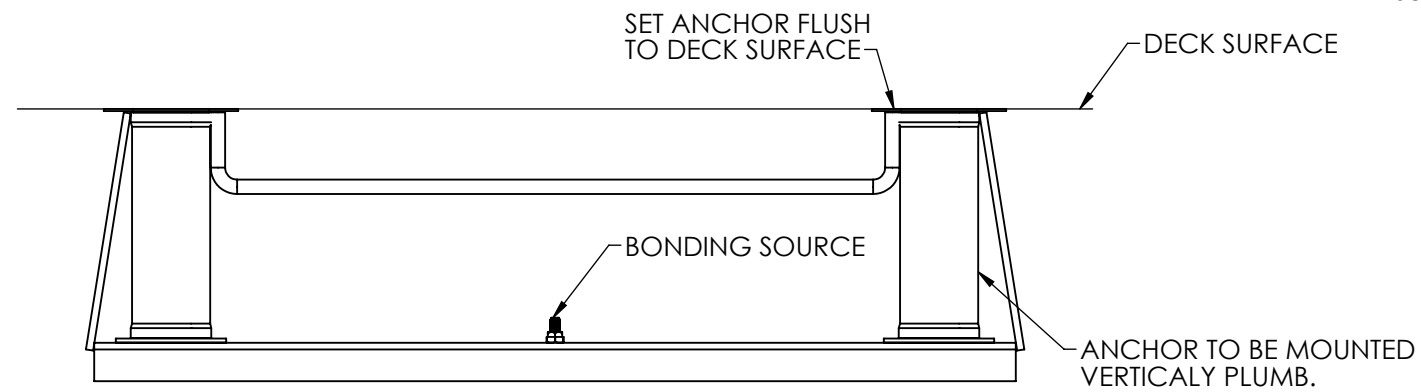


REVISIONS				
ZONE	REV.	DESCRIPTION	DATE	APPROVED
	A	PRODUCTION	2/18/2010	J. KELLY



1. Determine the desired location for the platform(s). Generally the starting platform will be installed on center of the racing line tile markers installed in the swimming pool. Refer to the measuring guide for the anchor set back distance. This distance is provided by the Architect. If platforms have already been ordered, this dimension may have already been determined. If this is the case, refer to the approved submittal drawings provided by Spectrum.
2. Locate a bonding source to bond (ground) the anchor. The steel rebar-bonding grid of the pool deck is the best choice for bonding the anchor. Attach a No. 8 solid copper wire (NEC Section 680-22) from the bonding bolt on the base of the anchor to the bonding grid.
3. Secure anchor in place - proper height - anchor may be mudded in place. Set the anchor so that the finished top is flush to deck level.
4. Use a level to insure the anchor is vertically plumb.
5. Insert anchor cap to make sure concrete does not enter anchor.
6. Pour concrete deck and finish. Allow the concrete to cure for at least 7-days before installing and using the unit.



MATERIAL SEE PARTS LIST		UNLESS OTHERWISE SPECIFIED:	
FINISH NONE		DIMENSIONS ARE IN INCHES TOLERANCES: FRACTIONAL: ± 1/16 ANGULAR: ± 1° X.X = ± .1 X.XX = ± .01 X.XXX = ± .005	
<b>PROPRIETARY AND CONFIDENTIAL</b> THE INFORMATION CONTAINED IN THIS DRAWING IS THE SOLE PROPERTY OF SPECTRUM PRODUCTS LLC. ANY REPRODUCTION IN PART OR AS A WHOLE WITHOUT THE WRITTEN PERMISSION OF SPECTRUM PRODUCTS LLC. IS PROHIBITED.		DEBUR AND BREAK SHARP EDGES	
		DO NOT SCALE DRAWING	
		THIRD ANGLE PROJECTION	
DRAWN	J. MAXWELL	DATE	21NOV06
SHOP			
CHK'D			
MFG.			

SIZE			DWG. NO.			REV		
<b>B</b>			35055			<b>X1+</b>		
SCALE: 1:5			MASS: 8.29			SH. 1 OF 1		

**SPECTRUM**  
Products®  
7100 SPECTRUM LANE (406) 542-9781  
MISSOULA, MT 59808 FAX: (406) 542-1158

TITLE:  
**DUAL POST ANCHOR**