

**Anchor, Stainless Steel Cup, part number 35221**

**Anchor Body**

The stainless steel cup anchor shall be fabricated entirely of type 316L series stainless steel. The cup and flange portion of the anchor body shall be stamped or drawn for a single piece of material. The cup portion shall be 3" inside diameter with a depth of 2.5". The face flange shall be 4" square and shall fit flush with the finished pool wall. A standoff shall be provided which shall secure the eyebolt, support an anchoring flange and bonding screw attachment.

**Welds**

All welds shall be the TIG type and shall be applied using type 300 series welding rod to enhance corrosion resistance.

**Anchor Bolt**

An eyebolt shall be provided. The eyebolt shall be 18-8 stainless steel. The eyebolt, when installed, shall be flush with the flange face of the anchor body and provide for a 1" diameter eye opening. The eyebolt shall have a 0.50" threaded shank.

**Bonding**

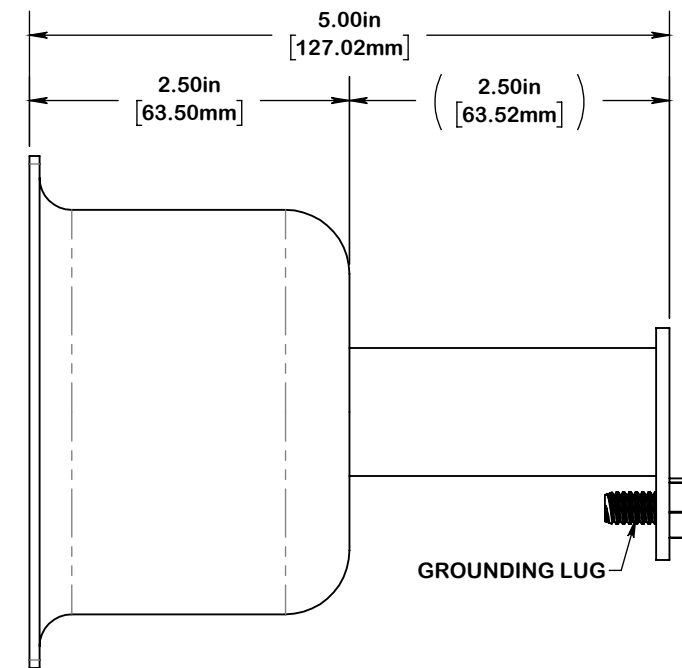
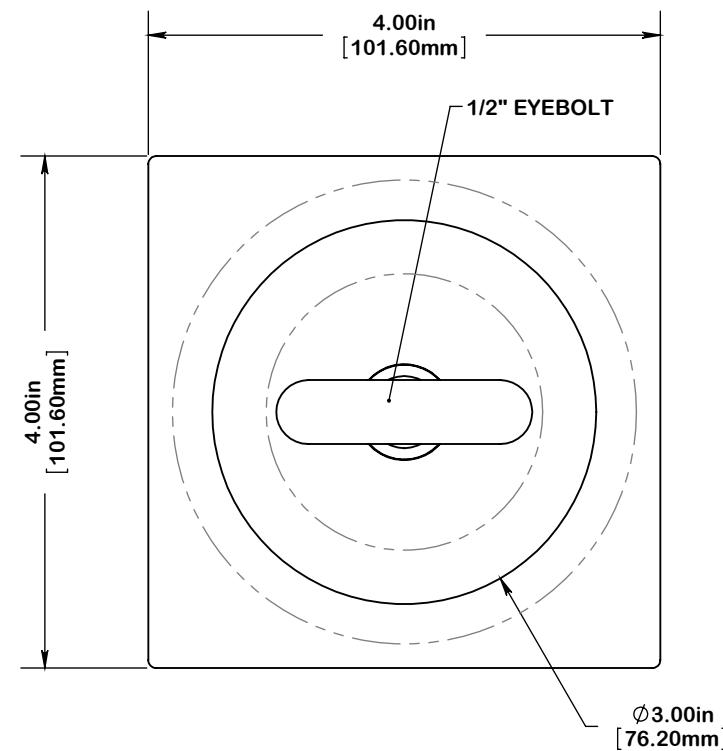
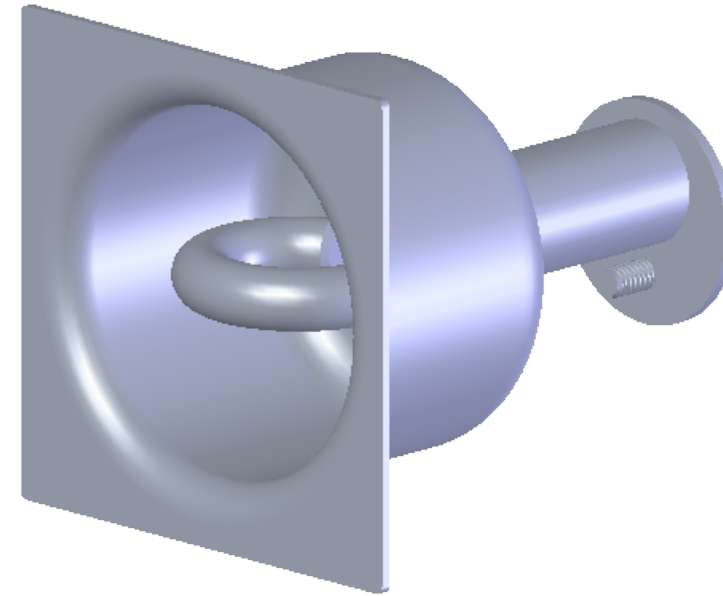
A bonding screw shall be provided. The bonding screw will be 18-8 stainless steel. Minimum size of bonding screw shall be 0.24" diameter.

**Material**

All components of the cup anchor shall be stainless steel. No dissimilar metallic components will be allowed.

**Warranty**

Spectrum standard.



7100 Spectrum Lane  
800.791.8056  
A PLAYCORE Company  
Missoula, Montana 59808  
www.spectrumaquatics.com

**ENGINEERING DATA**

PRODUCT:	CUP ANCHOR-SS-4"-STAMPED - WITH EYEBOLT		
MODEL #:	35221	CATALOG #:	58316
MATERIAL:	316L STAINLESS STEEL		
FINISH #:	PASSIVATE IAW ASTM A967		

**NOTE:**

*△ DIMENSIONS VARY WITH SPECIFIC APPLICATIONS. SPECIFICATIONS ARE NOMINAL AND ARE SUBJECT TO CHANGE. PLEASE CONTACT SPECTRUM AQUATICS FOR CUSTOM APPLICATIONS*