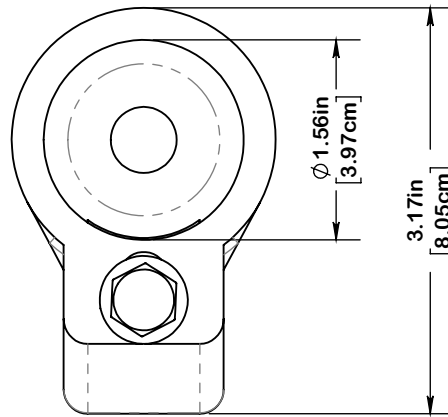


**Anchor, Stainless Steel Wedge  
Anchor 1.5" O.D., part number 24090**

The anchor will be of the wedge type and shall be designed to support a 1.50" O. D. stainless steel rail. A wedge shoe shall be employed, applying pressure to the retained rail and providing support. Wedge anchor bodies incorporating brass or bronze material will not be allowed.



**Anchor Body**

The anchor body shall be fabricated from grade 300 series stainless steel. The body component of the anchor shall be cast, ensuring consistent strength, ductility, and resistance to impact and it shall incorporate provisions for anti-rotation. The anchor body shall be 6" deep and shall be 1.50" inside diameter, ± 0.02". Close tolerance dimensions shall ensure a secure fit for railings.

**Wedge**

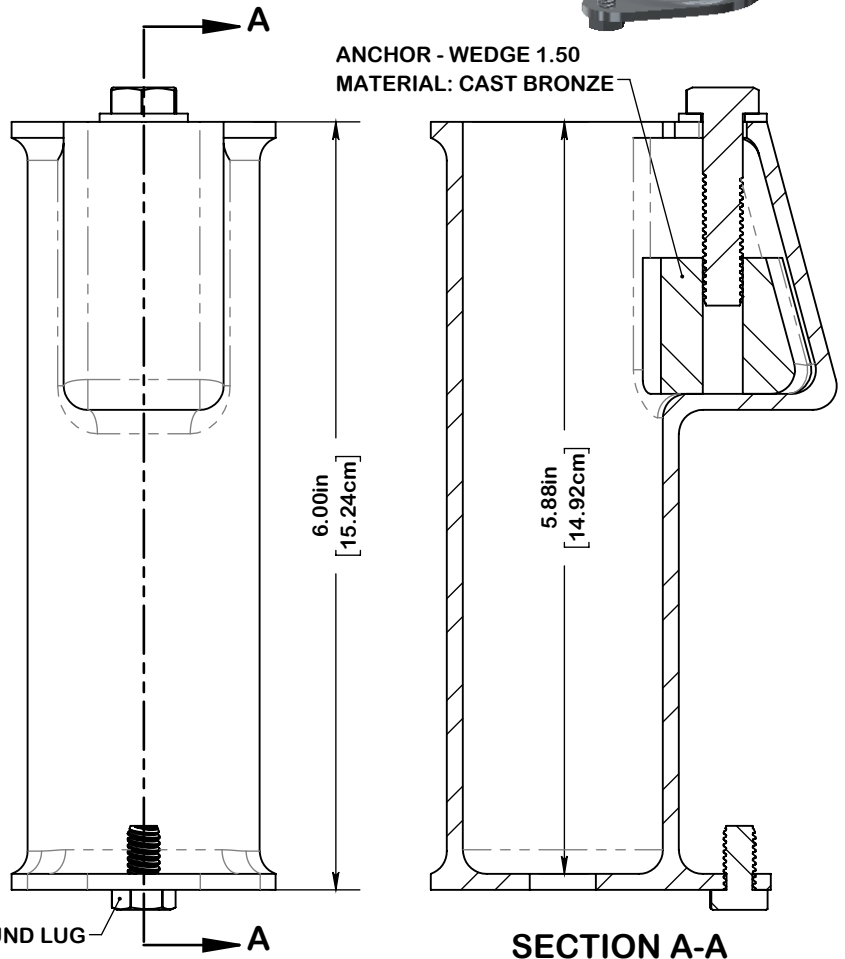
A cast brass (85-5-5) wedge shall be employed as the rail retainer. The wedge shall incorporate an 18-8-stainless steel 5/16-18-hexhead tightening bolt and flat washer. The wedge shall be designed as the sacrificial element to the anchor system, allowing for ease of repair and maintenance.

**Bonding**

A bonding screw shall be provided on the lower portion of the anchor. The bonding screw will be 18-8-stainless steel and shall be not less than 1/4" in diameter.

**Warranty**

Two year limited warranty.



*NOTE:*

*⚠ DIMENSIONS VARY WITH SPECIFIC APPLICATIONS. SPECIFICATIONS ARE NOMINAL AND ARE SUBJECT TO CHANGE. PLEASE CONTACT SPECTRUM AQUATICS FOR CUSTOM APPLICATIONS*



A PLAYCORE Company

7100 Spectrum Lane  
Missoula, Montana 59808  
800.791.8056  
www.spectrumaquatics.com

**ENGINEERING DATA**

PRODUCT:	ANCHOR - 6in WEDGE 1.50 -			
MODEL #:	24090	CATALOG #:	24090	REVISION: A
MATERIAL:	304L STAINLESS STEEL			
FINISH #:	MILL			