

One Meter Diving Tower Anchor Rear Entry, product number 22160-00

The dive stand anchor assembly shall consist of the following components:

Cage Anchor

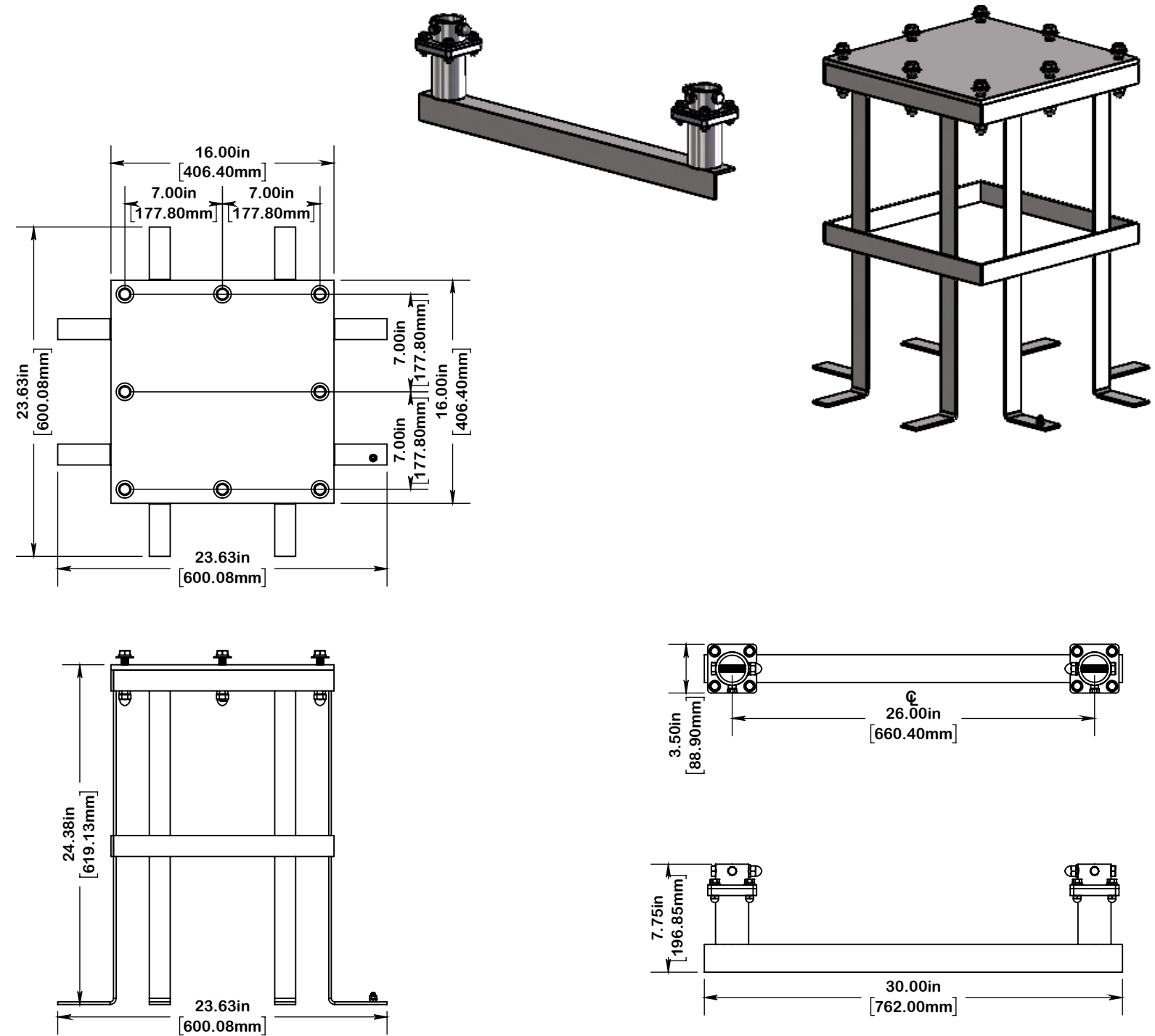
The one meter dive stand pedestal shall be supported by one (1) 23 5/8" x 23 5/8", 300 series stainless steel pedestal cage anchor assembly. The anchor cage shall consist of, 3/16" by 1.50" wide 300 series stainless steel bar, with a 3/8" 16" x 16" 300 series stainless steel top mounting plate. The top plate shall contain (8) threaded inserts for attaching the pedestal. The entire assembly shall be TIG welded using a jig fixture.

Rear Support Anchors

Two (2) heavy-duty 4" fabricated stainless flange type anchors, secured to a 2" by 2" by 3/16" angle 300 series stainless steel anchor spacer / reinforcement shall be provided to secure the rear support rails.

Warranty

Spectrum Standard.



A PLAYCORE Company
 7100 Spectrum Lane Missoula, Montana 59808
 800.791.8056 www.spectrumaquatics.com

ENGINEERING DATA

PRODUCT:	KIT ANCHOR 1M 1.9" REAR LDR -			
MODEL #:	22140-00	CATALOG #:	22140-00	REVISION: B
MATERIAL:	304L SERIES STAINLESS STEEL			
FINISH #:	PASSIVATE IAW ASTM A967			

NOTE:

△ DIMENSIONS VARY WITH SPECIFIC APPLICATIONS. SPECIFICATIONS ARE NOMINAL AND ARE SUBJECT TO CHANGE. PLEASE CONTACT SPECTRUM AQUATICS FOR CUSTOM APPLICATIONS