

Dive Stand, 1/2, 2/3, and 3/4 Meter Rear Fixed, product number 47061

The dive stand shall be designed for use with in-ground swimming pools conforming to NSPI standards for diving portions of Class B and C swimming pools.

The dive stand shall consist of the following components:

Superstructure

The superstructure shall consist of a pedestal, side guardrails, fulcrum supports, sloping access ladder, fixed fulcrum, and hinged rear board support. The pedestal shall be a column 8" x 8" x 3/16" wall thickness. It shall be set at a 15 degree angle toward pool edge, include a 1/4" top plate and 1/2" bottom plate, and be T.I.G. welded with 3/16" reinforcing gussets.

The side guardrails shall be constructed of 1.50" x .120" wall thickness tubing. Fulcrum support tubes and sloping access ladder shall be 1.90" x .145" wall thickness tubing.

The fixed fulcrum shall consist of an axle mounted in the center of the pedestal top plate. The axle shall be covered with a stainless steel lined rubber sleeve.

Two hinged rear board supports shall be provided. They shall facilitate full range of motion, allowing the board (by others) to be rendered inoperable when not in use.

Steps

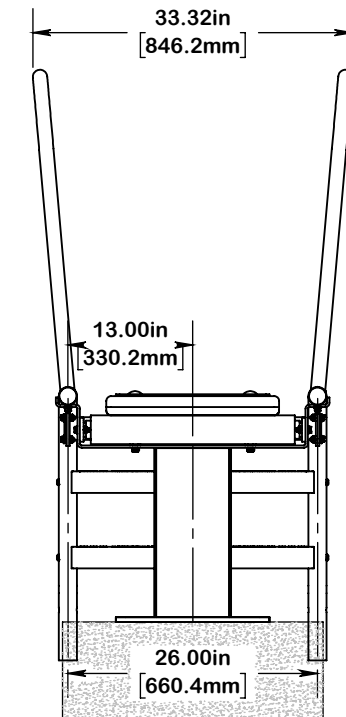
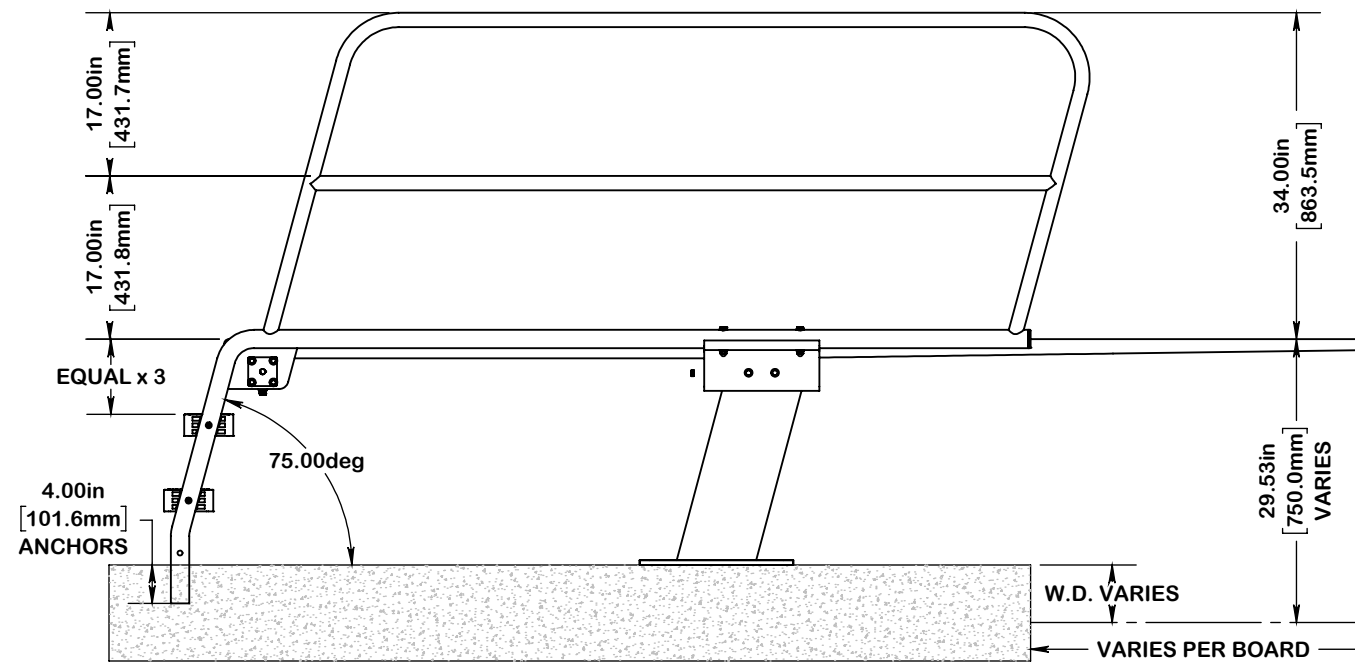
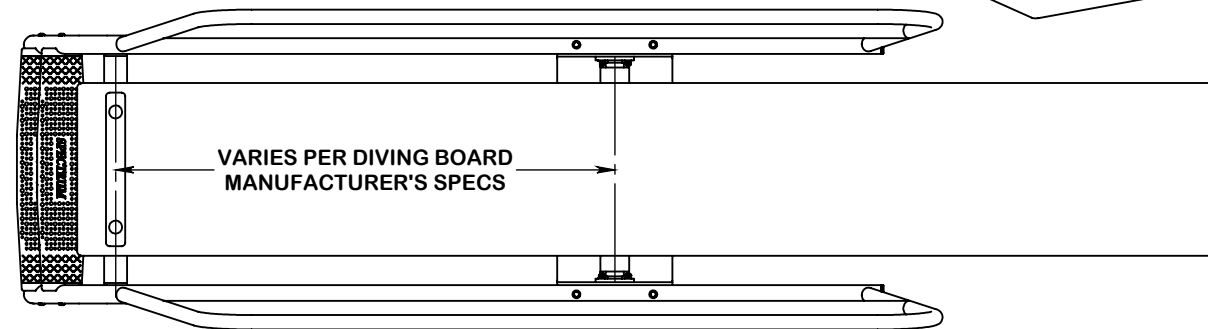
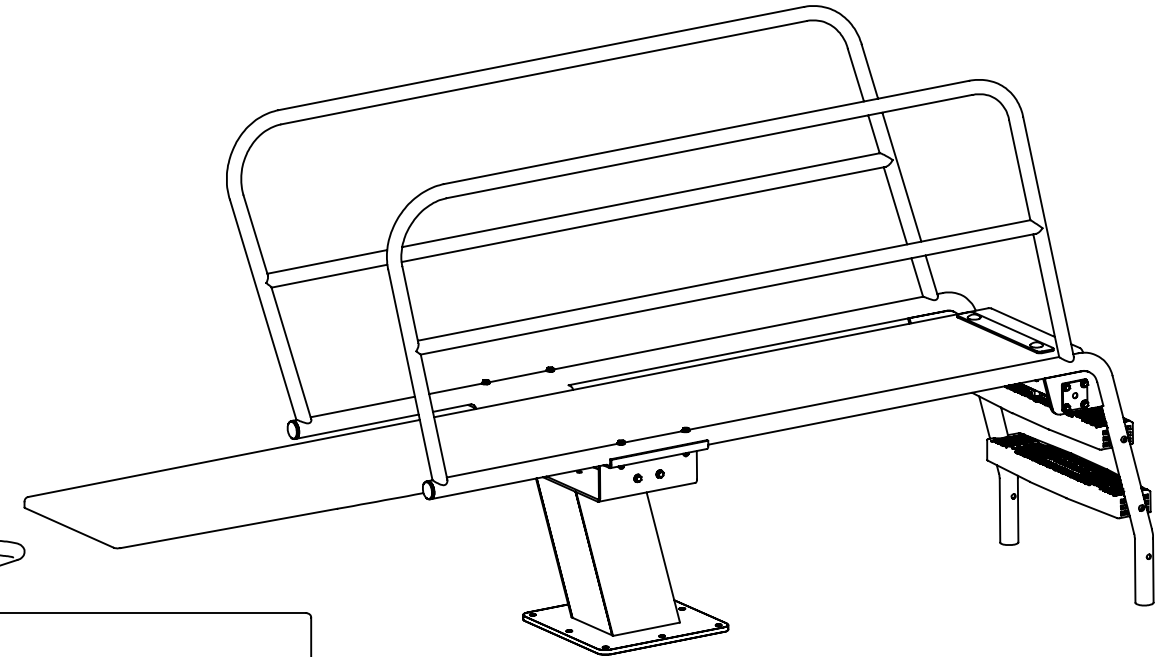
15-degree step treads shall be provided. The quantity of the steps will vary depending on the height of the dive stand. They shall be 26" wide, have an integral non-slip top surface, and shall be injection molded using U.V. stabilized ABS plastic.

Anchor Assembly

The dive stand shall be supported by one (1) 16" x 16" 300 series stainless steel pedestal cage anchor and two (2) heavy-duty 4" bronze anchors.

All metallic components of the dive stand shall be fabricated of 300 series stainless steel.

Warranty
Spectrum Standard



A PLAYCORE Company

7100 Spectrum Lane Missoula, Montana 59808
800.791.8056 www.spectrumaquatics.com

ENGINEERING DATA

PRODUCT:	ECONO DIVING TOWER FIXED -			
MODEL #:	47061	CATALOG #:	47061	REVISION: P1
MATERIAL:	300 SERIES STAINLESS STEEL			
FINISH #:	PASSIVATE IAW ASTM A967			

NOTE:

⚠ DIMENSIONS VARY WITH SPECIFIC APPLICATIONS. SPECIFICATIONS ARE NOMINAL AND ARE SUBJECT TO CHANGE. PLEASE CONTACT SPECTRUM AQUATICS FOR CUSTOM APPLICATIONS