

KERSPLASH™ 2 PANEL ALTERNATING COLOR CLIMBING WALL

PART#: 70535-1WB

THE KERSPLASH™ POOLSIDE CLIMBING WALL WILL CONSIST OF THE FOLLOWING COMPONENTS:

SUPERSTRUCTURE:
 THE STRUCTURE SHALL CONSIST OF A 10' TALL FRAME. THE FRAME WILL INCLUDE AN 8' TALL SECTION FOR CLIMBING WITH THE UPPERMOST 4' SECTION ANGLED TOWARDS THE WATER AT 15 DEGREES. THE TOP 2' NON-CLIMBABLE SECTION OF THE CLIMBING WALL SHALL BE VERTICLE. THE SUPERSTRUCTURE OF THE WALL SHALL BE CONSTRUCTED EXCLUSIVLY FROM 304L (LOW CARBON CONTENT) STAINLESS STEEL RAW MATERIALS, MANUFACTURED AND FORMED IN THE UNITED STATES WITH OVERALL DIMENSIONAL SIZE TOLERANCES OF +/- 1/16" INCH. PANEL BRACKETS SHALL BE FACRICATED FROM 12 GAUGE 304 STAINLESS STEEL SHEETS AND TIG WELDED PERMANENTLY TO THE FRAME STRUCTURE. THERE SHALL BE NO PINS OR PIVOTS IN THE MAIN FRAME TO COMPRIMISE STRUCTURAL INTEGRITY. ALL STAINLESS STEEL COMPONENTS SHALL BE COATED WITH SPECTA SHIELD™ TO WITHSTAND THE AQUATIC ENVIRONMENT.

PANELS:
 KERSPLASH PANELS SHALL BE FABRICATED OF OUTDOOR RATED, UV STABILIZED, POLYCARBONATE FOR SUPERIOR STREANGTH AND IMPACT RESISTANCE. CLIMBING PANELS ARE TRANSLUCENT BLUE AND GREEN IN COLOR WITH A TEXTURED FINISH FOR PRIVACY. PANELS SHALL HAVE 6 SLOTS ON THE PERIMETER FOR MOUNTING THE FRAME AND 18 CAPTIVE FASTENERS TO ALLOW FOR HANDHOLD MOUNTING. PANELS SHALL BE 4' BY 4' DIMENSIONALLY (+/- 1/16") AND ALL SHARP EDGES MECHANICALLY ROUNDED. THE TOP 2' PANEL SHALL HAVE NO HAND HOLDS OR GRASPABLE SURFACE FEATURES TO DETER CLIMBING ABOVE THE DESIGNATED CLIMBING PANELS. ALL PANELS SHALL BE CAPABLE OF WITHSTANDING THE AQUATIC ENVIRONMENT.

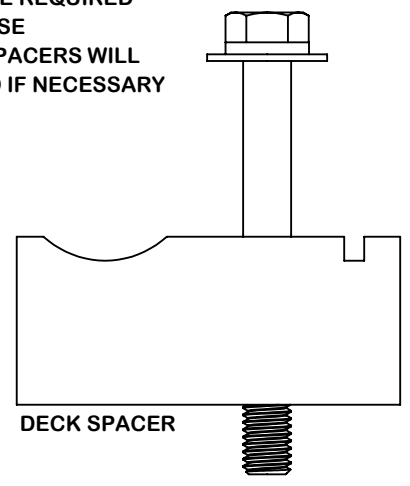
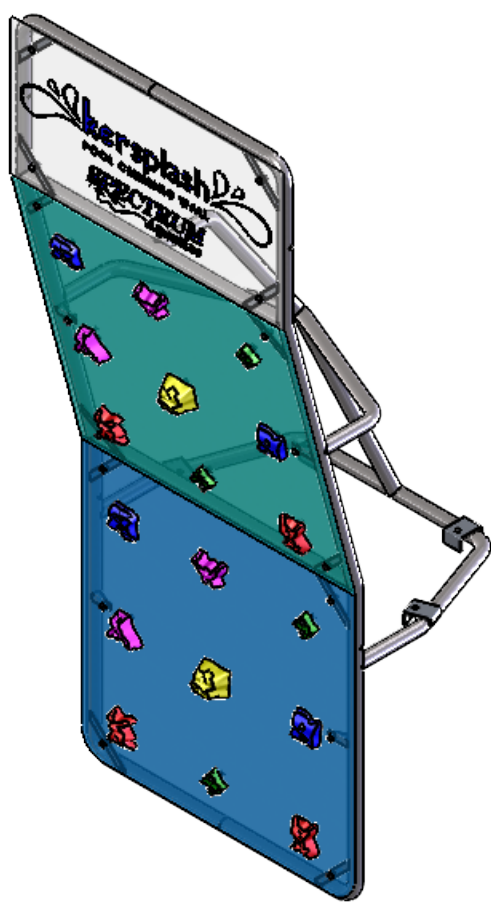
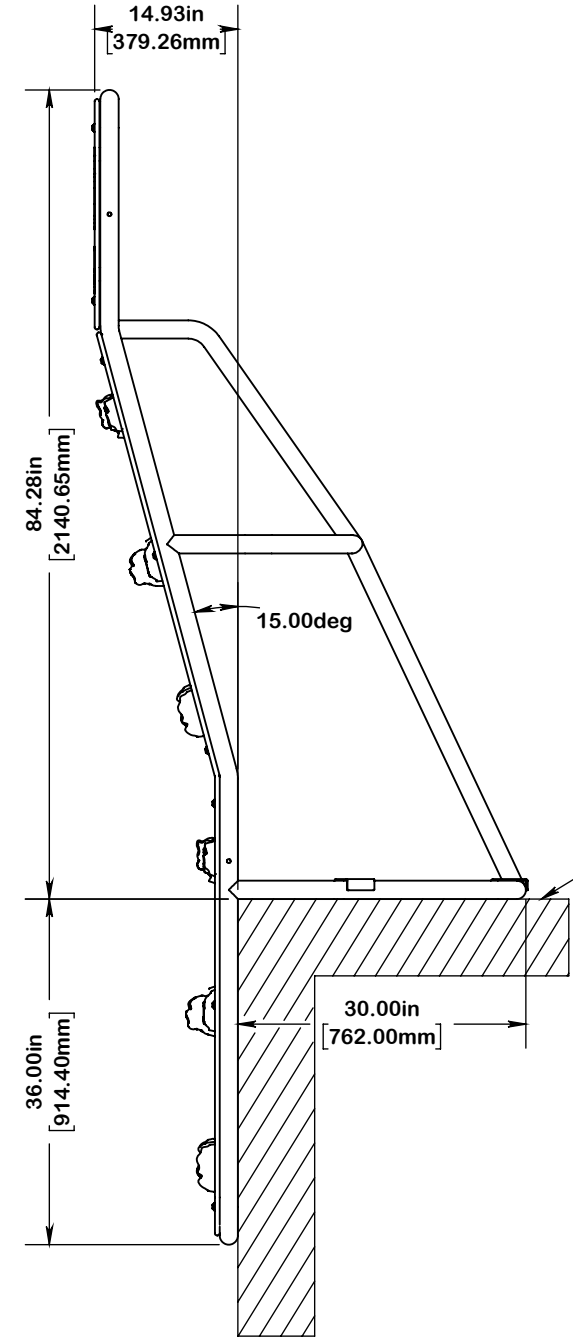
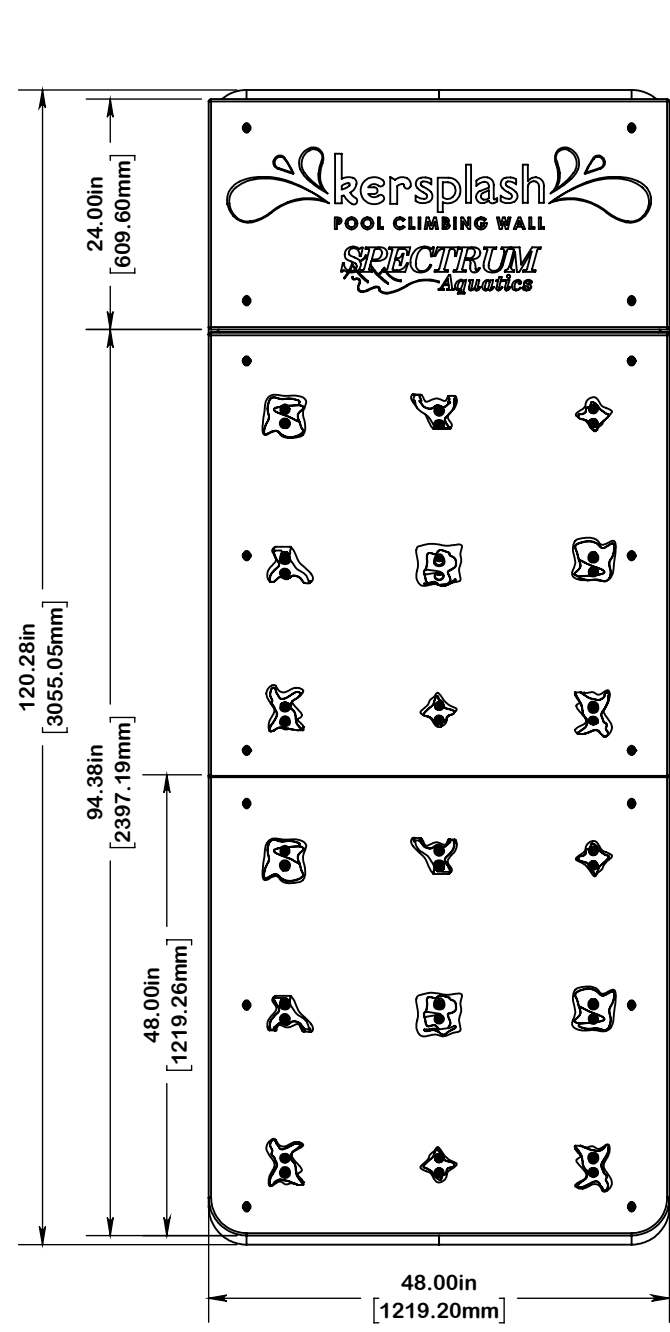
HOLDS:
 EACH CLIMBING PANEL SHALL COME WITH 6 HAND HOLDS. HAND HOLDS SHALL BE FABRICATED FROM A PROPRIETARY HYBRID RESIN WITH A FORMULATED UV-INHIBITED BLEND SPECIFICALLTY ENGINEERED FOR THE AQUATIC ENVIRONMENT. EACH HAND HOLD SHALL HAVE AN IMBEDDED STAINLESS STEEL WASHER.

ANCHORS:
 THE ANCHORS SHALL BE ENGINEERED TO WITHSTAND 90 MPH WIND LOAD WITH A SAFETY FACTOR, AND ANY FORCES INDUCED BY CLIMBING. THE ANCHORING SYSTEM SHALL CONSIST OF QTY. 4 304L COLD FORMED STAINLESS STEEL BRACKETS THAT CLAMP THE CLIMBING FRAME WITH 18-8 STAINLESS STEEL 1/2"-13 HEX BOLTS. HEX BOLTS SHALL BE INSTALLED INTO EPOXY SET FEMALE THREADED ANCHORS SET PER THE MANUFACTURER INSTRUCTIONS

FASTENERS:
 ALL FASTENERS SHALL BE 18-8 S.S. AND CONNECTION POINTS OTHER THAT HAND HOLDS SHALL HAVE NYLOCK LOCKING ELEMENT NUTS.

FOOTING REQUIREMENTS:
 THE FOOTING REQUIREMENTS SHALL BE BASED ON A 90 MPH WIND LOAD, STANDARD 4" THICK POOL DECK SHALL BE SUFFICIENT.

WARRENTY:
 SPECTRUM STANDARD



SPECTRUM
 Aquatics
 A PLAYCORE Company
 7100 Spectrum Lane Missoula, Montana 59808
 800.791.8056 www.spectrumaquatics.com

ENGINEERING DATA				
PRODUCT:	KERSPLASH 2-PANEL - 8' TALL x 4' WIDE			
MODEL #:	70535-1WA	CATALOG #:	70535	REVISION: B
MATERIAL:	1.90"x.109" 304L SERIES S.S. TUBE			
FINISH #:	PASSIVATE IAW ASTM A967			

NOTE:
 DIMENSIONS VARY WITH SPECIFIC APPLICATIONS. SPECIFICATIONS ARE NOMINAL AND ARE SUBJECT TO CHANGE. PLEASE CONTACT SPECTRUM AQUATICS FOR CUSTOM APPLICATIONS