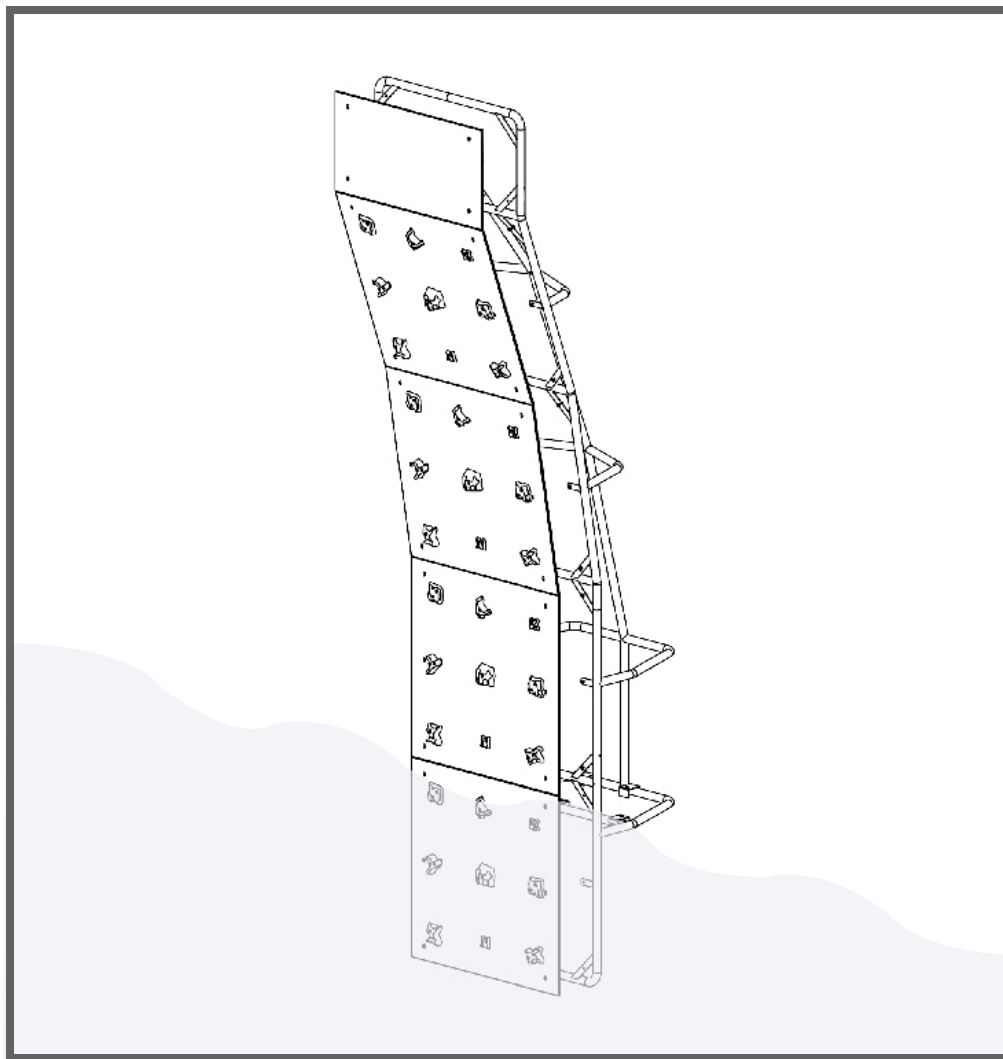


kersplash®

POOL CLIMBING WALL



SPECTRUM
Aquatics
A PLAYCORE® Company

Congratulations! You have purchased a Kersplash Pool Climbing Wall from Spectrum Aquatics. Providing the unit is installed correctly and properly maintained, it will furnish you with many years of trouble free use. It is important to read this entire manual prior to beginning assembly or operation.

Shipping Information:

Each wall module will arrive partially assembled in a crate. Before accepting the unit from the carrier, inspect for visible damage and match the contents with those listed below. Spectrum Aquatics is not responsible for lost or damaged freight.

The crate will contain all structural components, hardware, and panels. The following is a list of the components included with your shipment from Spectrum Aquatics. Use Components and Hardware Figure A, page 3, as a reference to identify each item listed.

16' Climbing Wall: Part Number 70537 Crystal Clear® Panel, 42639 Color

1	304L Stainless Steel Climbing Frame	4	4' x 4' Climbing Panels
1	2' x 4' Safety Panel	1	Hardware Package
6	Anchoring Brackets	3	Kersplash Climbing Wall Rules Signs
36	Groperz™ Hand Holds		

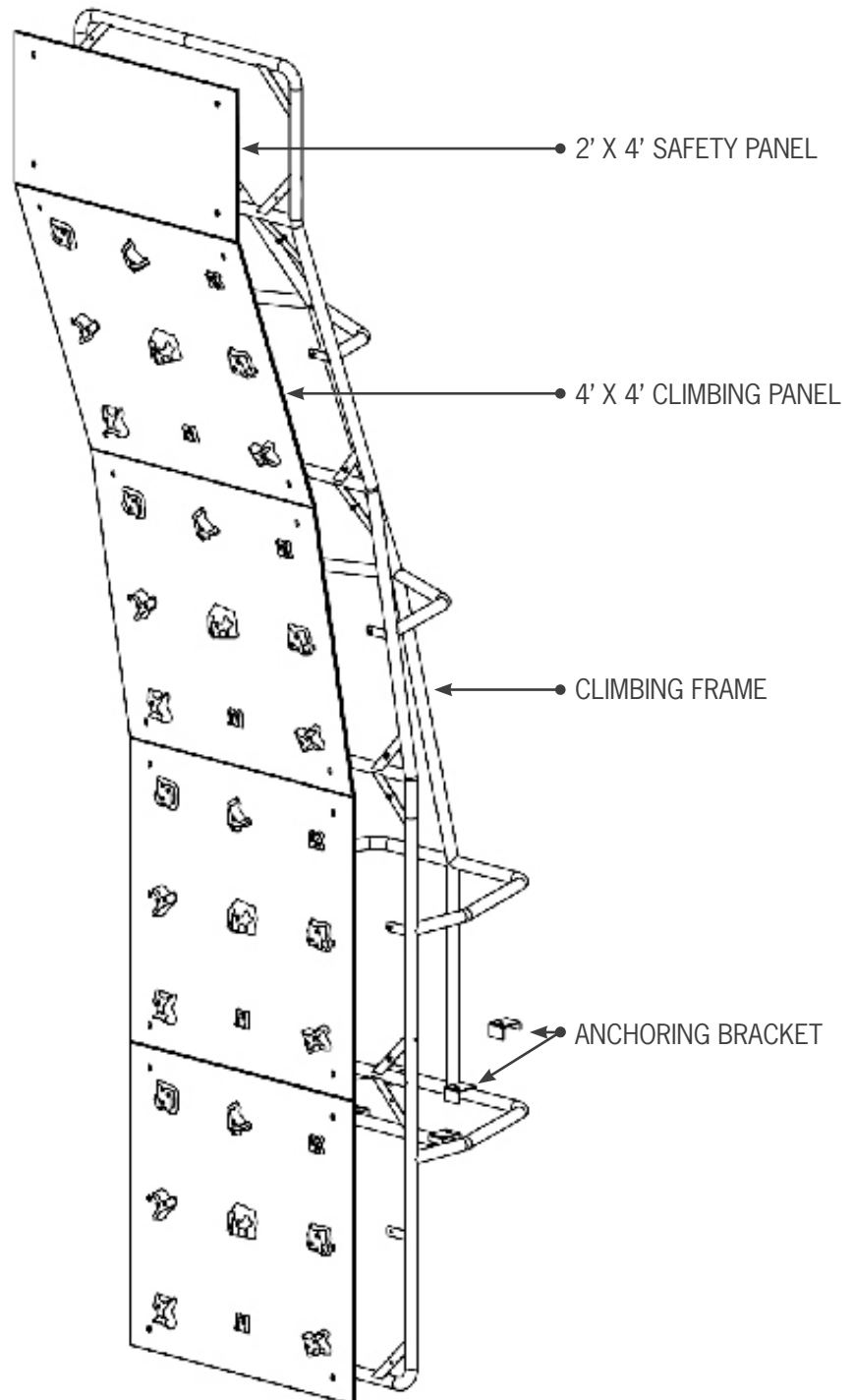
12' Climbing Wall: Part Number 70536 Crystal Clear Panel, 42638 Color

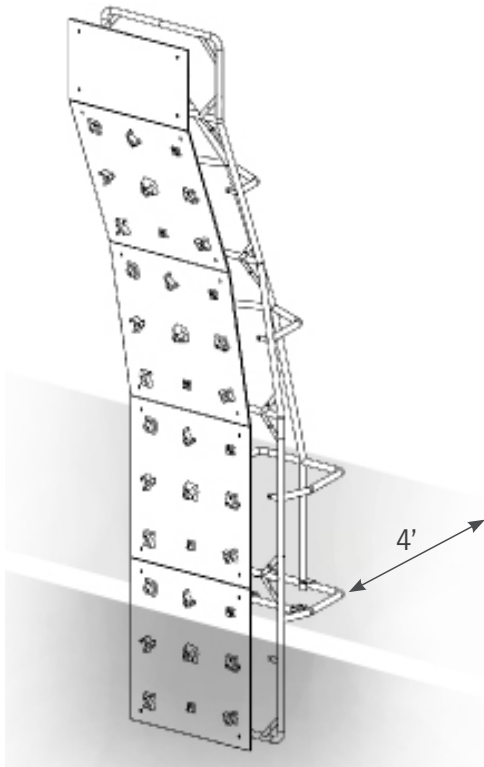
1	304L Stainless Steel Climbing Frame	3	4' x 4' Climbing Panels
1	2' x 4' Safety Panel	1	Hardware Package
4	Anchoring Brackets	3	Kersplash Climbing Wall Rules Signs
27	Groperz Hand Holds		

8' Climbing Wall: Part Number 70535 Crystal Clear Panel, 42648 Color

1	304L Stainless Steel Climbing Frame	2	4' x 4' Climbing Panels
1	2' x 4' Safety Panel	1	Hardware Package
4	Anchoring Brackets	3	Kersplash Climbing Wall Rules Signs
18	Groperz Hand Holds		

Components & Hardware Figure A





CLEAR DECK SPACE FIGURE B

Installation Overview

Please make sure to read all instructions before attempting to assemble or install the wall. Due to the wide variety of pool deck configurations, it is recommended that you contact Spectrum Aquatics for a drawing packet that will configure the mounting holes, spacers, and setback for your deck application.

Tools & Equipment Required:

- Hammer Drill
- 5/8" Hammer Drill Bit
- Compressed Air
- Hammer
- Steel Brush
- 7/32" Allen Wrench (included)
- 9/16" socket and ratchet
- Vise Grip

CLEAR DECK SPACE

To be compliant with most state and local guidelines there must be at least 4' of clear deck space from the back of the frame on the deck to any obstruction. Please verify your local and state codes prior to installation. SEE FIGURE B

POOL DEPTH

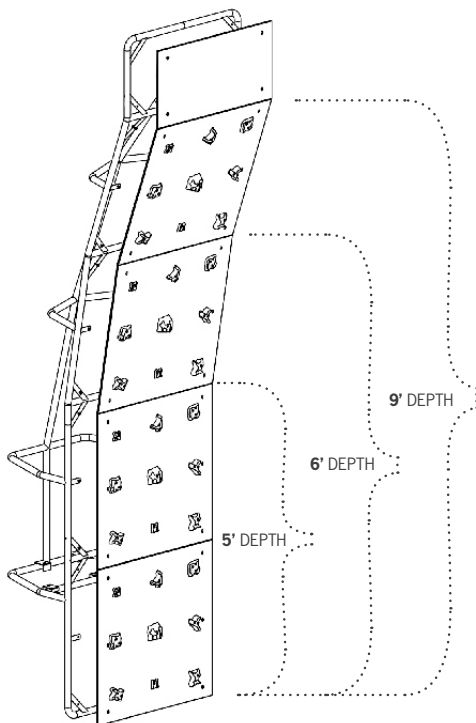
Pool depth requirements vary by state. Check your state and local codes to ensure your configuration complies. Spectrum Aquatics recommends the following depths for its different panel configurations: SEE FIGURE C

WALL HEIGHT	RECOMMENDED WATER DEPTH
8 FEET	5 ft
12 FEET	6 ft
16 FEET	9 ft

CLIMBING WALL ASSEMBLY

Assembly will take place in four steps.

- 1) Attach holds to panels
- 2) Attach panels to frame
- 3) Tip up first frame and install two anchors. Tip up second frame, bolt frames together and install two additional anchors on second frame. Repeat until all frames are standing.



POOL DEPTHS FIGURE C

- 4) Anchor frames to deck with the remaining Hilti Kwik Bolts

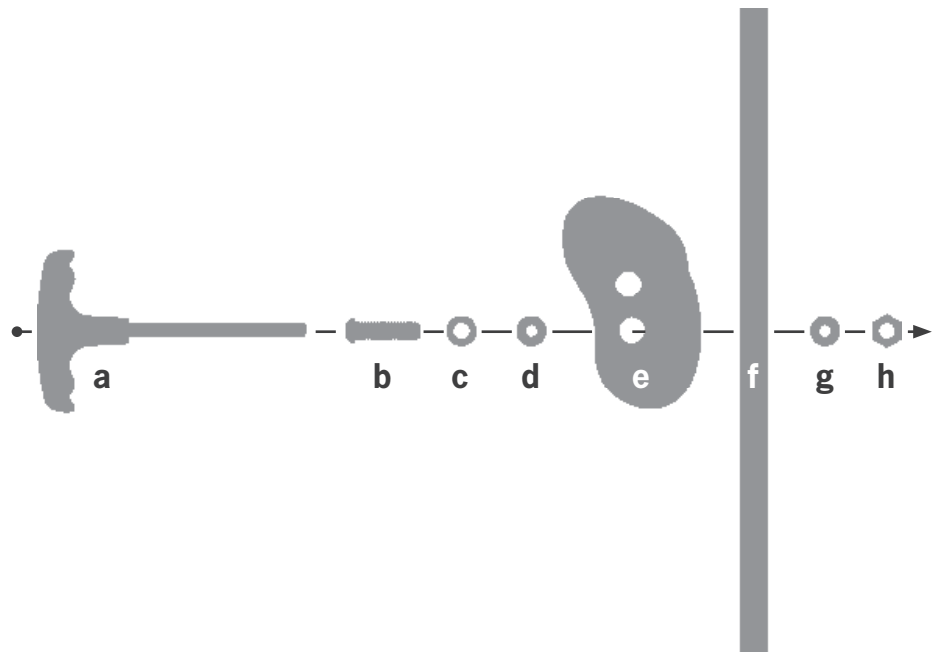
Installation Instructions

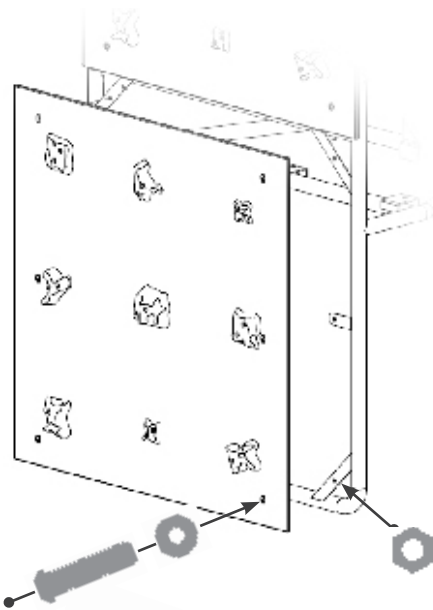
Prior to assembly, be sure to gather all of your tools and prepare all materials. If a Crystal Clear wall is chosen, the protective wrapping will need to be removed from the panels prior to assembly, and care taken not to scratch the panels during the installation process.

ATTACHING THE HAND HOLDS

1. Place the Hand Hold over the desired set of holes in the wall panel.
2. Insert 2" button head bolt, 3/8" lock washer, and 3/8" washer through the Hand Hold and through the 1/2" clear panel. Attach the 3/8" rubber sleeve washer over the bolt threads and thread on the 3/8" lock nut.
3. Using an Allen Wrench (included) and a 9/16" box wrench or socket wrench, hand tighten.
4. Repeat steps 2 and 3 for the second bolt.

- | | | |
|-------------------------------|-----------------------|-------------------------|
| a. Allen Wrench | d. 3/8" Washer | g. Seal Washer |
| b. 2" Button Head Bolt | e. Hand Hold | h. 3/8" Lock Nut |
| c. 3/8" Lock Washer | f. Panel | |








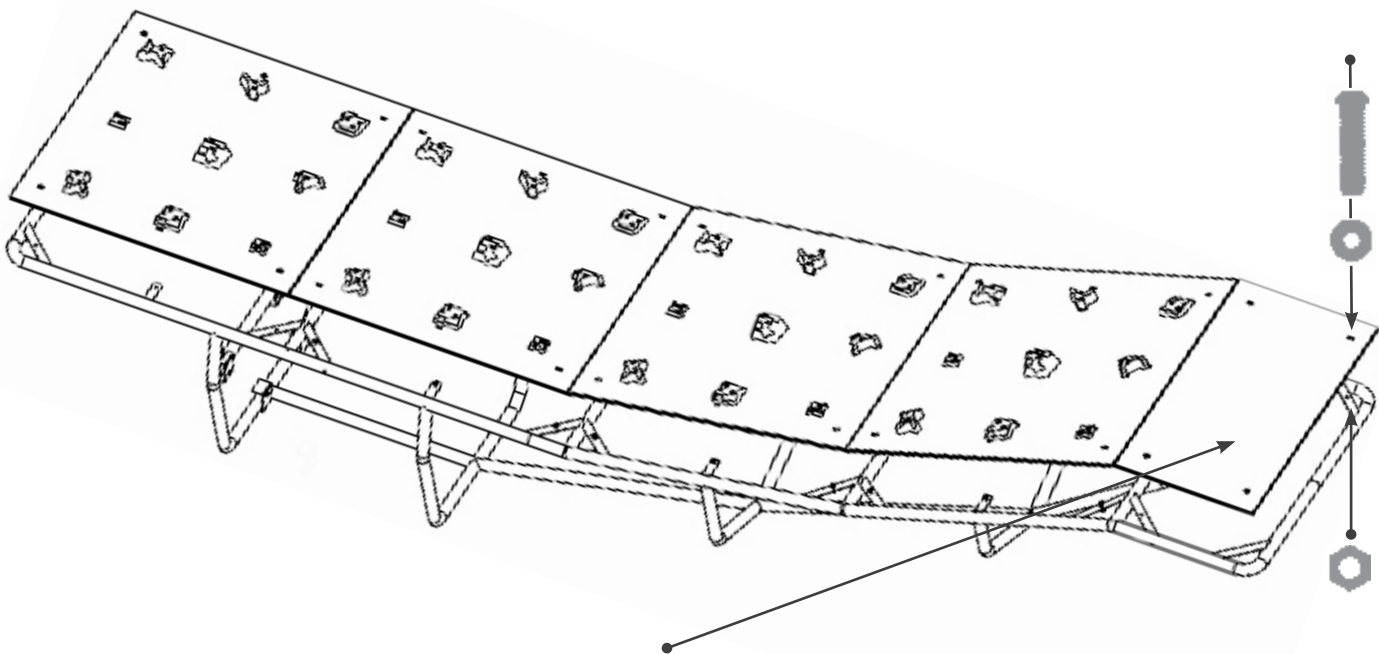
ATTACHING THE CLIMBING PANELS TO THE FRAME

NOTE: If your environment is humid, we recommend applying an extra coat of Spectra Shield to the frame. To order, contact Spectrum Aquatics (Part Number 202050-00), at 800.791.8056.




Lay the stainless steel frame on its back with the spine towards the ground. Place the panels on top of the frame and drop in button head screws to hold the panels in place, but do not tighten. For ease of installation and to accommodate manufacturing and temperature variances, each climbing panel has 6 mounting slots that allow for adjustment when attaching the panels to the frame. For the bottom panel, center the fasteners in each of these slots.

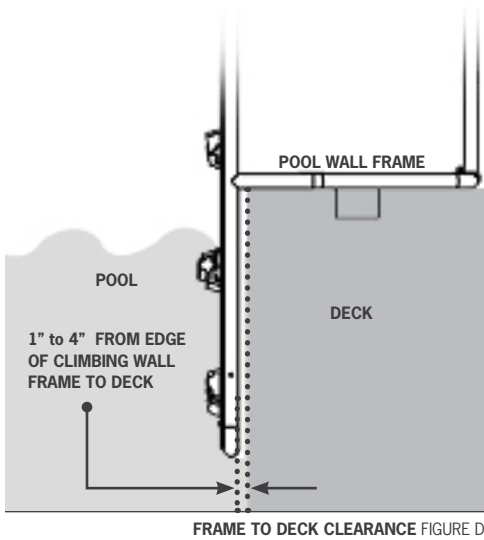
Attach the climbing panel to the climbing frame as shown below using the following hardware:

-  6 - 3/8" x 1 1/4" Button Head Socket Screw
-  6 - 3/8" Flat Washers
-  6 - 3/8" Nylock Nuts



Affix the 2' x 4' safety panel to the top of the climbing frame using:


-  4 - 3/8" x 1 1/4" Button Head Socket Screws
-  4 - 3/8" Flat Washers
-  4 - 3/8" Nylock Nuts



FRAME TO DECK CLEARANCE FIGURE D

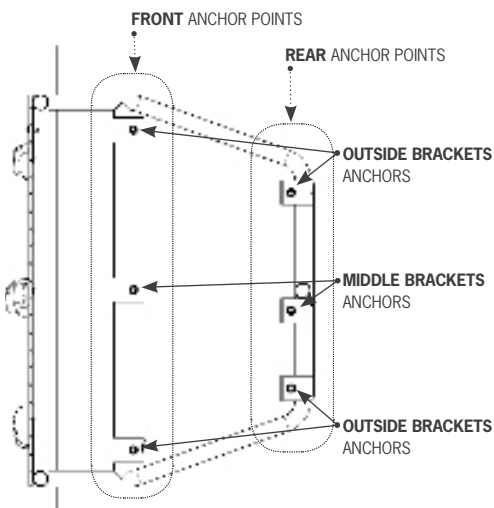
POSITIONING, TEMPORARY ANCHORING, AND CONNECTING THE FRAMES:

- The main frame of the climbing wall should be set so that there is no less than 1" and no more than 4" of clearance between the climbing wall and the existing pool wall (verify local and state codes). SEE FIGURE D
- Position the first frame upright on the pool deck. Set the frame with a mechanical anchor in the front middle bracket and rear middle bracket. SEE FIGURE E
- Position the second frame next to the first. There are two places where the frames must be fastened together, one about 2' down from the top and the next about 1'6" up from the pool deck. Fasten the two frames together using fasteners. SEE FIGURE F

 2 - 3/8" x 4 1/2" Hex Screws

 4 - 3/8" Flat washers

 2 - 3/8" Nylock Nuts



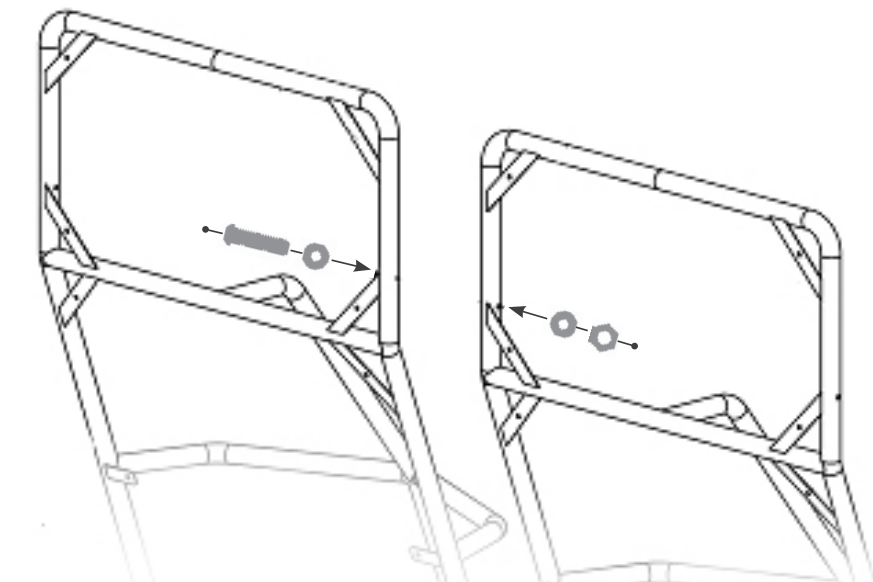
REQUIRED BRACKET POSITIONS:

16' WALL - 6 REQUIRED BRACKETS: 3 FRONT, 3 REAR

12' WALL - 4 REQUIRED BRACKETS: 2 FRONT, 2 REAR

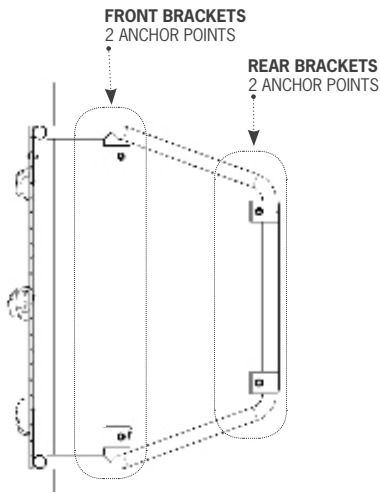
8' WALL - 4 REQUIRED BRACKETS: 2 FRONT, 2 REAR

- Then set the second frame with an anchor in the front middle bracket and back middle bracket. Continue in this manner until all frames are set. SEE FIGURE E

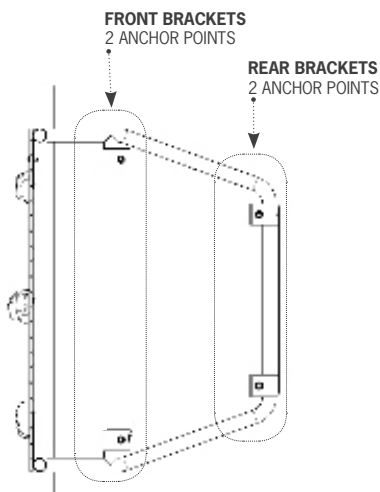


FASTEN FRAMES TOGETHER FIGURE F

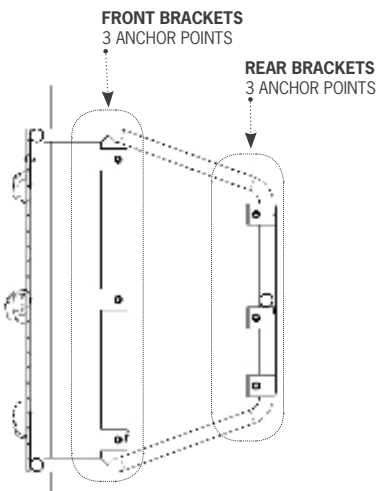
8' HIGH WALL | 4 REQUIRED ANCHORING BRACKETS



12' HIGH WALL | 4 REQUIRED ANCHORING BRACKETS



16' HIGH WALL | 6 REQUIRED ANCHORING BRACKETS



REQUIRED ANCHORING BRACKET POSITIONS | FIGURE G

ANCHORING THE CLIMBING WALL:

Anchoring should be done by an installer experienced with the use of 1/2" drop in anchor.

- STEP 1) Prior to drilling and anchor install, read and follow instructions below, and wear approved eye and ear protection.
- STEP 2) There is a requirement of 6 anchoring brackets for the 16' wall, 4 brackets for the 12' wall and 4 brackets for the 8' wall. SEE FIGURE G
- STEP 3) Mark or partially drill the holes. Move the anchor brackets and finish drilling the holes as discussed in instructions below.

INSTALLATION STEPS

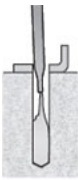
To set anchor flush with surface:



1. Drill hole a 5/8" hole to 4 1/8" deep.



2. Clean hole with pressurized air and nylon brush.



3. Fill hole ~1/3 full with an appropriate anchoring epoxy. Redhead G5 or Hilti 200 are both commonly available epoxies.



4. Insert anchor into the hole with a slow twisting motion and allow epoxy to cure for the recommended time.

BONDING THE CLIMBING WALL:

Check state and local code for bonding requirements.

ADDITIONAL INSTRUCTIONS:

WARNING! Read all operating instructions before using the Kersplash Pool Climbing Wall. Make sure that all individuals using the wall have read and understand the Kersplash Climbing Wall Rules. Supervision is required.

WARNING! Rock climbing indoors and outdoors is an inherently dangerous sport. The activity of climbing can lead to significant personal injury, disfigurement or death. Even though one may be climbing indoors on an artificial wall risks still exist. Artificial holds can spin, and on rare occasions break. Individual climbers and organizations have the sole responsibility for learning and using proper climbing technique and safety practices. The purchasers and users of our products accept full and complete responsibility for any and all damages or injury which may result from the use and/or misuse of any product purchased from Spectrum Aquatics.

WARNING! This product may contain chemicals known to the State of California to cause cancer and birth defects or other reproductive harm.

OPERATOR'S GUIDE

Safety Precautions:

- Spectrum Aquatics recommends that a lifeguard be on duty at all times when the Kersplash Pool Climbing Wall is in use. This may be required by certain states; check your state and local codes to verify.
- NO DIVING is allowed off of the Kersplash Pool Climbing Wall.
- Kersplash Pool Climbing Wall users must be able to swim; we recommend for ages 5 and above.

KERSPLASH CLIMBING WALL RULES

- Swimmers only may use the Kersplash Climbing Wall; non-swimmers and beginners should not use the wall.
- Swimming ability should be determined by a 25 yard swim and a 30 second treading exercise.
- Climbers must read, understand, and obey all posted rules, instructions and warnings.
- Only one climber is allowed on the Climbing Wall at a time.
- Only feet-first entries are allowed when entering into the water.
NO EXCEPTIONS!
- No climbing on the back or sides of the structure. Climb only on the hand holds.
- Climbers who intentionally violate the NO DIVING rule WILL BE BANNED from using the Kersplash Climbing Wall.
- When entering the water, knees should be bent and arms extended for safety through increased deceleration.
- The entrance and exit paths dictated by the aquatic facility must be followed.
- When the Climbing Wall is open for use, a lifeguard must supervise the use of the structure without performing any other duties or observations.
- Climbers may not use the wall without the direct supervision of a lifeguard in close proximity of the structure.
- Climbers must listen to and obey the lifeguards monitoring the structure.
- Climb must begin from the water.
- Diving may result in bodily injury or death.
- Swim away from the climbing wall drop zone when you are done with your climb.
- Report any damaged equipment to the supervisor.

Care and Maintenance

Daily Maintenance:

- Spray frame, panels and hand holds with cold, clean, non-chlorinated water.

The proper care and maintenance of your climbing wall is essential and is your responsibility. Inspect your climbing wall and its components on a regular basis. These inspections should include, but are not limited to, the following:

Surface

- Panels should be installed according to installation instructions.
- Check panels to make sure they are in good condition and show no signs of stress.
- Check each panel's adherence to the frame. Tighten only when they are loose. Do not over tighten!
- Check for sharp points and edges.
- Remove or repair any damaged wall areas.
- Clean panels with mild soaps or Windex cleaner. Regularly spraying down panels with non-chlorinated cold water to remove chlorine water spotting is recommended.

Hand Holds

- Hand Holds should be mounted according to the installation instructions.
- Observe holds for signs of stress or breakage.
- Remove and replace any damaged holds.
- Check hand holds for looseness and tighten. Do not over tighten!
- Wash holds periodically to remove oil, stains, and other residue. Remove hand holds and use mild soap and water with a soft bristle brush. Do not use a wire or brass bristle brush. You can also wash holds in a dishwasher. Towel dry holds and then air dry for 24 hours to ensure complete drying.

Frame

- Frame should be installed according to installation instructions.
- To clean, use only cold, clean, non-chlorinated water. Do not spray with high-pressure water.
- Remove any discoloration to the stainless steel frame with a 3M scratch pad. Wipe clean with a sponge dampened with Spectra Clean. Repeat these steps several times to passivate the stainless steel. Spectra Clean kits are available from Spectrum Aquatics (Part Number 202050-00), call 800.791.8056.



TOLL FREE 1.800.791.8056 | VOICE 406.542.9781 | FAX 406-532.6358 | INFO@SPECTRUMPRODUCTS.COM

WWW.SPECTRUMPRODUCTS.COM | 7100 SPECTRUM LANE, MISSOULA, MT, 59808

REV 3 02-17