

Lifeguard platform Sapphire, part number 20085

The lifeguard platform shall consist of the following components:

Lifeguard Platform Frame

The lifeguard platform frame is to be fabricated of 1.90" O.D. x 0.065" wall thickness 300 series stainless steel.

Footboard

A solid composite footboard shall be provided with the lifeguard platform. The footboard shall be 30" x 42", shall be manufactured using closed mold vacuum infusion resin transfer (RTM) technique, and designed to incorporate closed cell urethane foam as its inner core. The surface texture of the footboard shall be molded in, shall be a diamond pattern, and shall prevent slipping. Footboards incorporating wood center core and/or sand, or other abrasive, non-slip surfaces will not be considered equal due to environmental demands.

Column and Seat Post

The Column and Seat Post shall be fabricated from 3" square x .120" wall thickness 300 series stainless steel. Each shall be flanged to receive respective mounting devices.

Steps

Four (4), straight step treads shall be provided. They shall be 20" wide, have an integral non-slip top surface, and shall be injection molded using U.V. stabilized ABS plastic.

Seat Assembly

The seat shall be 20" high, 18" wide and 17 3/4" deep and shall be a double contour design for prolonged seating comfort. The seat shall fold down when not in use to keep seat surface cool and discourage use by unauthorized individuals. Fold down shall be a "No-Pinch" hinge with stainless-steel hinge pins. The seat shall swivel and be readily removable from a permanently installed base and shall be provided with a means for securing the seat. The seat assembly shall be white in color.

Umbrella and Ring Buoy Holders

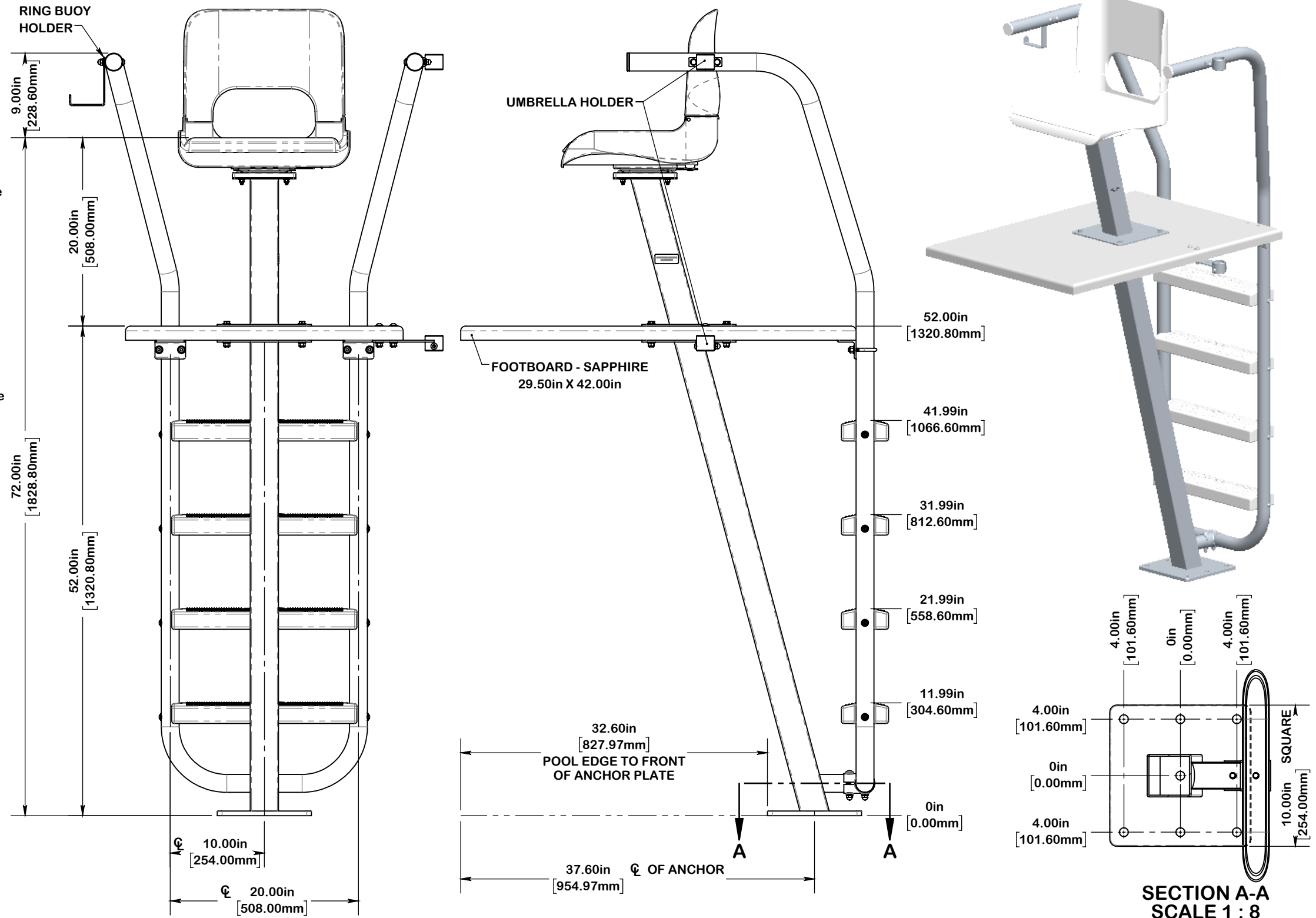
One (1)-umbrella holder and one (1)-ring buoy holder shall be provided. Each shall be made of 300 series stainless steel.

Anchor Assembly

The anchor system shall be cast in the concrete deck and shall consist of a column anchor. The anchor shall consist of, six (6), 1/2" diameter by 8" long "J" bolts, coupling nuts, stainless steel washers and hold down bolts. Anchor shall be supplied with grounding lugs for bonding.

Warranty

Two year limited warranty.



A PLAYCORE Company

7100 Spectrum Lane Missoula, Montana 59808
800.791.8056 www.spectrumaquatics.com

ENGINEERING DATA

PRODUCT:	GC - SAPPHIRE - 1.90 72in -		
MODEL #:	GC - SAPPHIRE	CATALOG #:	20085
MATERIAL:	1.90"x.065" 304L STAINLESS STEEL TUBE		
FINISH #:	PASSIVATE IAW ASTM A967		
REVISION:	A		

NOTE:

△ DIMENSIONS VARY WITH SPECIFIC APPLICATIONS. SPECIFICATIONS ARE NOMINAL AND ARE SUBJECT TO CHANGE. PLEASE CONTACT SPECTRUM AQUATICS FOR CUSTOM APPLICATIONS