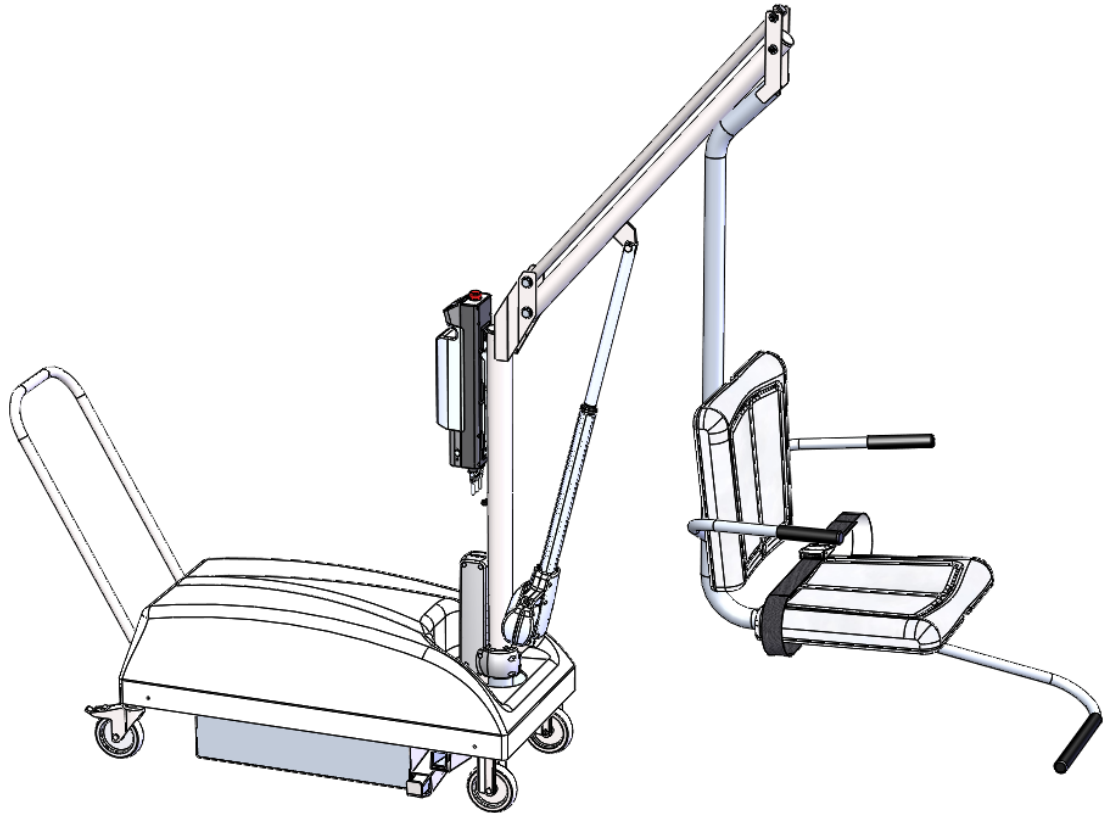


# Portable Motion Trek

Part Number 165600



**SPECTRUM**<sup>®</sup>  
*Aquatics*

A **PLAYCORE** Company

7100 Spectrum Lane ~ Missoula MT 59808  
800.791.8056 ~ [www.spectrumproducts.com](http://www.spectrumproducts.com)

You have purchased a Spectrum Products Portable Motion Trek lift. Providing the unit is installed correctly and properly maintained, it will furnish you with many years of trouble free use. It is important to read this entire manual prior to assembly or operation of the unit.

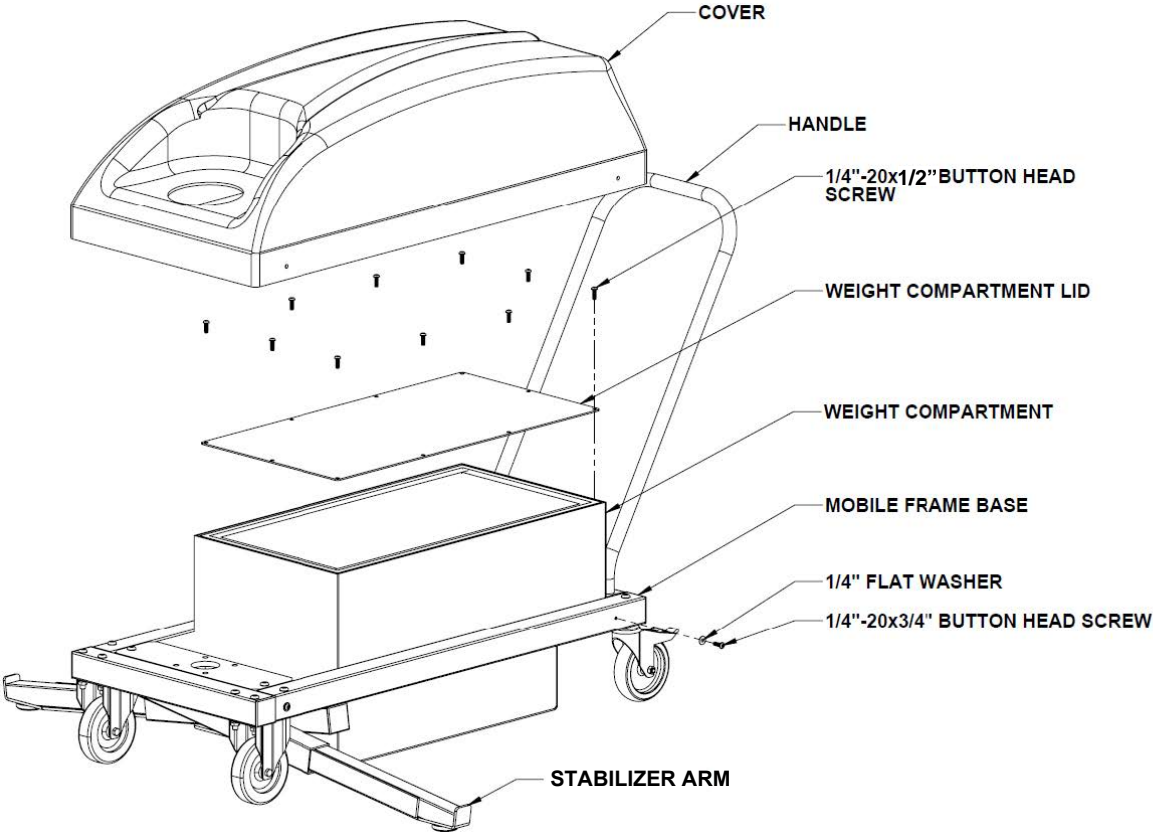
**Shipping Information:**

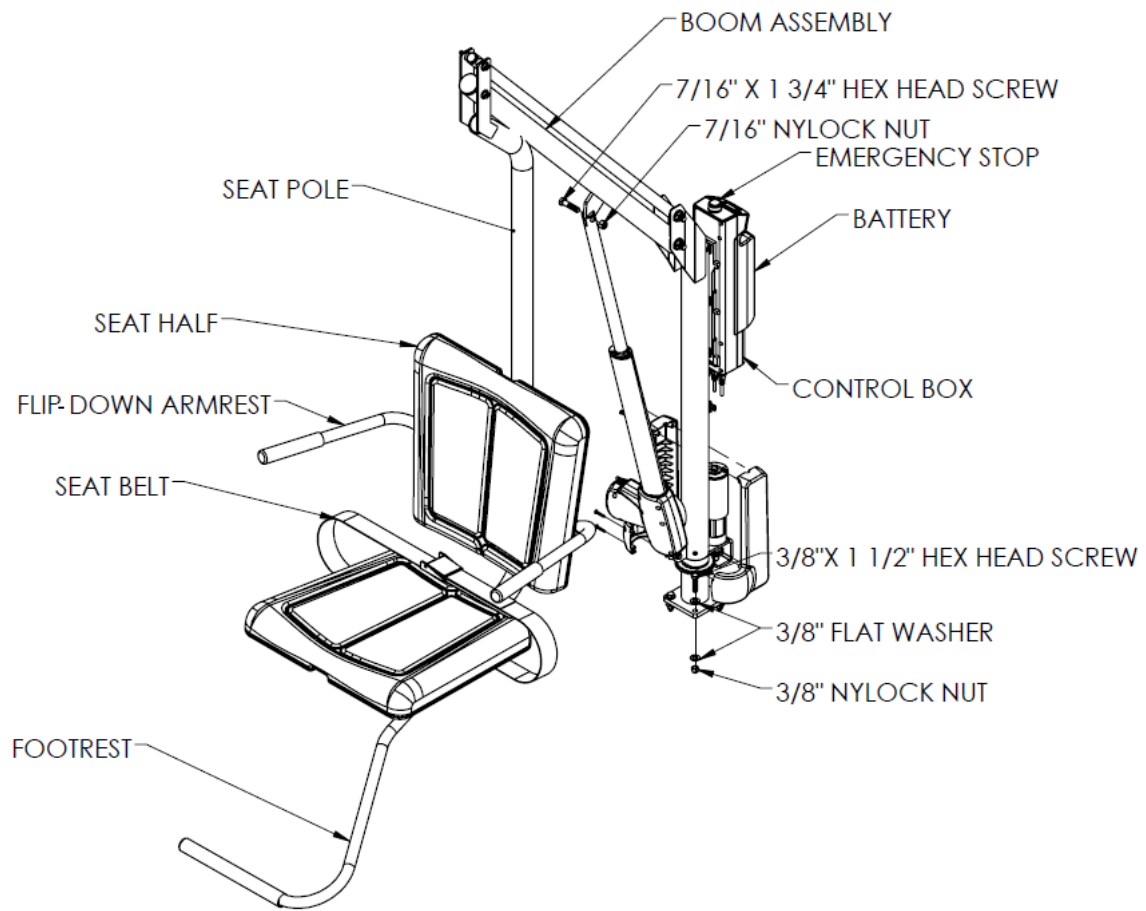
Each Portable Motion Trek will arrive partially assembled in two separate units, a box containing the lifting components and a pallet containing the mobile base. Before accepting the Portable Motion Trek from the carrier, inspect for visible damage and match the contents with those listed below. Although we take every effort to ensure a timely and complete delivery, Spectrum is not responsible for lost or damaged freight.

The following is a list of the components included with your shipment from Spectrum. Use Components and Hardware Figure, Pages 2-3, as a reference to identify each item listed (\* indicates not shown on pages 2-3)

	<b>Pallet</b>		<b>Box</b>
1	Mobile Base Assembly	1	Mast Assembly
15	Weight Pellet Bags*	1	Footrest Assembly
1	Handle	1	Seat Pole Assembly
2	Stabilizer Arms	1	Wired Handset
		1	Charger Cradle
		1	AC/DC Adapter
		1	Seat Belt Assembly
		1	General Hardware Pack*
		2	Seat Halves
		1	Battery
		2	Flip-Down Armrests

# Components and Hardware





SOME HARDWARE OMITTED FOR CLARITY  
 HANDSET, ANCHOR, AND CHARGING ACCESSORIES NOT SHOWN

## **PRODUCT OVERVIEW**

Spectrum Products introduces the new Portable Motion Trek aquatic lift.

The Portable Motion Trek allows for the flexibility of use and ease of installation around the pool deck, into storage or from pool to pool. The Portable Motion Trek is safe and easy to operate. It has two high performance locking casters and two pull-out locking stabilizers for added safety and stability.

## **ASSEMBLY**

The following tools will be required to complete assembly and installation of the Mobile Base and Motion Trek lift:

- 9/16" ratchet and open-end wrench
- 1/2" ratchet or open-end wrench
- 3/16" socket wrench (Allen wrench)
- 5/32" socket wrench (Allen wrench)

### **Mobile Base Assembly**

1. Remove all parts from crate.
2. Install stabilizer arms if they are not already in place (ensure the rubber pads face the deck when inserting stabilizer arms)
3. Remove cover and weight compartment lid
4. Carefully empty bags of weight pellets into the weight bin on the Mobile Base.

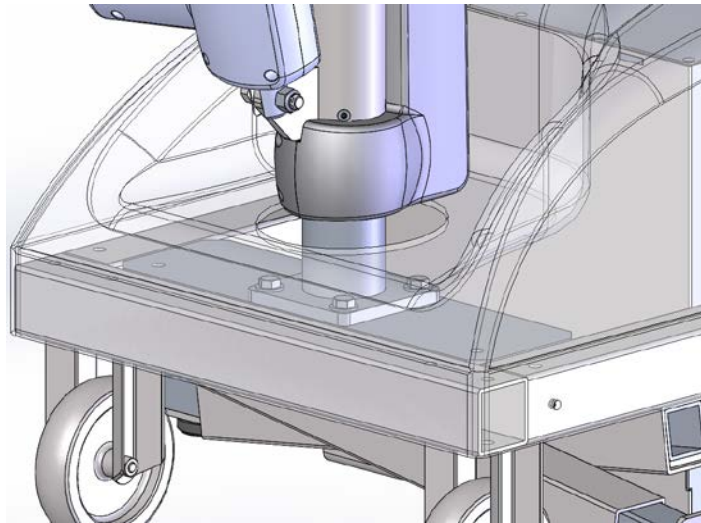
### **!Caution! Weight bags are heavy---handle carefully**

5. Using (10) ¼-20 x ¾ button head screws, reinstall the weight compartment lid onto the weight compartment. Ensure that the flange is free from weight pellets that would prevent the gasket from sealing the weight compartment.
6. Attach the cover with the included hardware and insert the handle into the holes on the rear of the Mobile Base.

## Motion Trek Lift Assembly

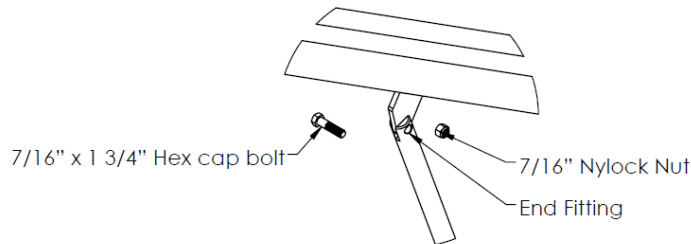
**NOTE:** All steps reference the exploded view on page 3.

- a. Stand the mast assembly on the mobile base stand as shown below and secure with (4) 3/8" x 1 1/2" hex head bolts, 8 3/8" flat washers, and (4) 3/8" Nylock nuts.



- b. Carefully remove shrink wrap holding the actuator to the mast assembly
- c. Attach the actuator end fitting to the lifting arms using:

1 – 7/16" x 1 3/4" Hex cap bolt  
1 - 7/16" Nylock nut

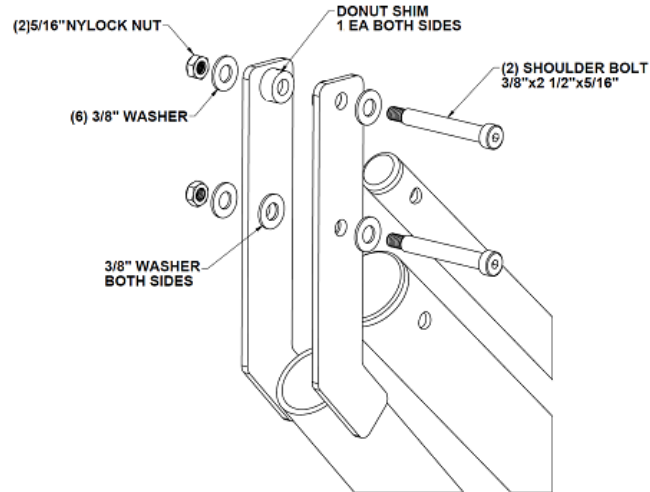


- d. Tilt the battery into the receiver until it locks into place.
- e. Plug the handset into the remaining port on the control box, making sure the connector is properly aligned.

**NOTE:** It is very important that the plug is fully inserted into the control box. If the handset plug is not fully inserted into the control box, the lift will not operate.

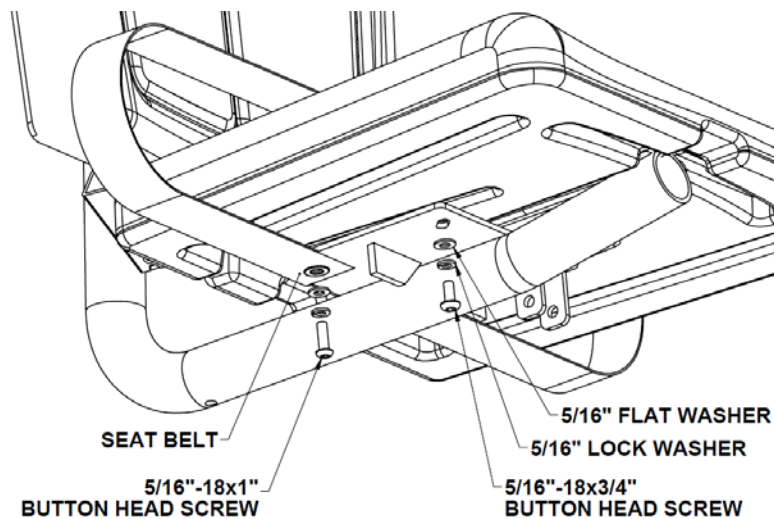
- f. Test lift operation by pushing the up and down toggle switch on the handset to ensure the lift is operational (See Page 8 for instructions on using handset). Then run the actuator into the fully extended position by pressing the up button until the actuator stops moving. Leave the lift in this position for the next steps.
- g. Join the seat arm to the mast assembly using:

- (2) - 3/8" Shoulder 2 1/2" x 5/16" thread
- (4) - 3/8" Flat washers
- (2) - 5/16" - 16 Nylock nut
- (2) - Donut shims



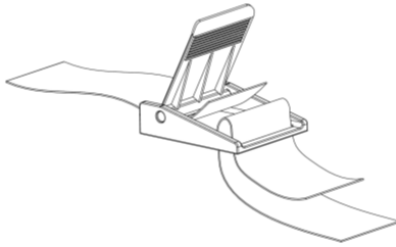
h. Attach the seat half and the seat belt to the mounting plate of the seat arm using:

- (2) - 5/16"-18 x 1"
- (2) - 5/16"-18 x 3/4"
- (4) - 5/16" Flat washers
- (4) - 5/16" Lock washers



*Note: When attaching the seat belt use 5/16"-18 x 1" as shown below.*

- i. The image below shows the proper way to assemble the seat belt.



- j. Attach the other seat half to the back rest mounting plate using:

- (4) - 5/16" - 18 x 3/4"
- (4) - 5/16" Flat washers
- (4) - 5/16" Lock washers

- k. Attach the footrest to the seat arm assembly using:

- (1) - 3/8" – Hex bolt 2"
- (1) - 3/8" Flat washers
- (1) - 3/8" Nylock nut

*Tighten the bolt until the flat washers are snug, and then back off until the footrest pivots freely. Adjust footrest to desired height using installed 3/8" - button head bolt.*

- l. Test the lift for proper operation.
- m. Install the charger and charge the battery for at least eight hours prior to use. The battery will reach full capacity after the first three charge/discharge cycles.



# Operator's Guide

## PRODUCT OPERATION

Use extreme caution when positioning the Portable Motion Trek. The Portable Motion Trek is heavy and once the unit is moving, it becomes hard to stop quickly.

Use caution when operating on sloped decks. **Do not use on deck area that has a slope greater than 1:48.**

Position the Portable Motion Trek at least 6" from the edge of the pool. Before each use of the Portable Motion Trek inspect the unit to ensure that all rear casters are locked and both stabilizer bars are tight to the deck in the fully extended position.

**WARNING!** Read all operating instructions before operating the unit. Make sure that all individuals using the unit have read the instructions and have been made aware of all safety precautions.

**WARNING!** DO NOT exceed the maximum lifting capacity of 300 lbs. This may result in damage to the lift or personal injury.

## IMPORTANT OPERATION RULES

Position the Portable Motion Trek at least 6" from the edge of the pool.

Rear wheels **MUST** be locked **BEFORE USE!!**

Stabilizers **MUST** be touching on both sides and tight to the deck!!

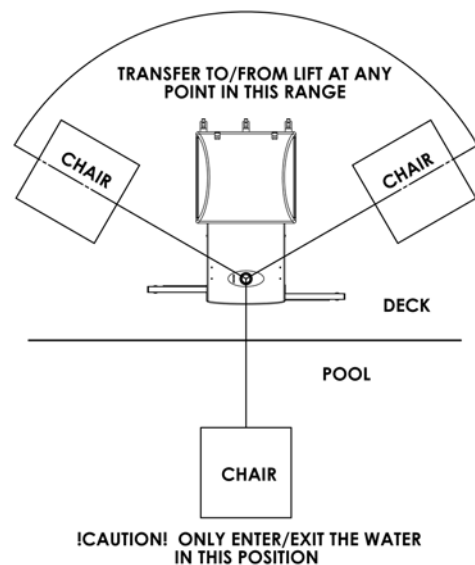
**Caution! Max weight of 300 lbs.**

Use extreme caution when transferring to or from the lift; it is the responsibility of the user to allow for safe operation of this lift.

To enter the pool or spa:

- A. Position the chair of the lift in the deck loading range (as shown in the diagram at right) using the directional buttons on the transmitter
- B. Carefully transfer into the lift seat from mobility device
- C. Fasten seat belt
- D. Rotate the lift over the water (as shown, right: Enter/Exit water position) where it will not come into contact with the pool edge or any obstruction using the left or right buttons on the handset
- E. Lower the lift into the water until buoyant by pushing the down button
- F. Unfasten seat belt and carefully move away from the lift

Using the directional buttons on remote, return lift chair to a position in the deck loading range.



To exit the pool or spa:

- A. Recall lift chair into water (as shown, right: Enter/Exit water position) to the previous depth upon transferring from the lift seat using directional arrows
- B. Carefully transfer into the lift seat
- C. Fasten seat belt
- D. Lift the seat straight up using the up directional arrow on the handset until top of lifting stroke is reached
- E. Rotate the chair into the transfer range (As shown, right)
- F. Unfasten seat belt
- G. Carefully transfer from lift seat into mobility device

**WARNING!** Read all operating instructions before operating the unit. Make sure that all individuals using the unit have read the instructions and have been made aware of all safety precautions.

## Lift Operation

**WARNING! Read all operating instructions before operating the lift. Make sure that all individuals using the lift have read the instructions and have been made aware of all safety precautions.**

**WARNING! Operate the lift exactly as described in the instructions above. Failure to do so may result in damage to the lift or personal injury.**

**WARNING! Do not exceed the maximum lifting capacity of 300 lbs. This may result in damage to the lift or personal injury.**

**WARNING! Do not rotate the lift directly into the deck or pool/spa wall. This may result in damage to the lift or personal injury.**


**WARNING! Unless operating in an emergency, Lift should not be forced to rotate. This could cause damage to the rotational components of the lift.**

**WARNING! Use extreme caution when transferring to or from the lift; it is the responsibility of the user to allow for safe operation of this lift.**


### Basic Principals of Lift operation




#### **Lifting (UP)** :

Pressing the  button causes the seat to rise. The seat will continue to rise as long as the button is pressed or until the lift reaches its highest extent. Releasing the button at any time during travel will cause the lift to stop.


#### **Lowering (DOWN)** :

Pressing the  button causes the seat to lower. The seat will continue to lower as long as the button is pressed or until the lift reaches its lowest extent. Releasing the button at any time during travel will cause the lift to stop.

#### **Rotation (CLOCKWISE)** :

Pressing the  button causes the lift to rotate clockwise. The lift will continue to rotate in this direction as long as the button is pressed. Releasing the button at any time during rotation will stop the lift from rotating.

## **Rotation (COUNTERCLOCKWISE)** :

Pressing the  button causes the lift to rotate counterclockwise. The lift will continue to rotate in this direction as long as the button is pressed. Releasing the button at any time during rotation will stop the lift from rotating.

## **Battery Control Panel Instructions and Operation**



### **Emergency Knob & Button:**

The emergency button will operate at any level of battery life. Pressing the button will stop all lift motion. To resume normal lift operation procedures, the knob must be turned in the clockwise direction.

### **Battery Light:**

If any of the four arrow buttons are pressed, the battery light will illuminate. The battery light has a total of three bars. If all of the bars are illuminated the battery is at or near full capacity. Two illuminated bars indicates the battery should be charged soon. A single bar illuminated means the battery should be charged before the next chair lift cycle.

**Note:** The control system will beep audibly every 5 seconds once the battery reaches ~20% capacity remaining. If this beep is present the battery should be charged before using the lift.

### **Lifting:**

Pressing the up (^) arrow causes the seat on the lift to rise. The seat continues to rise while the button is pressed or until the lift reaches its highest extent. If the button is released, the lift will stop moving upward.

### **Lowering:**

Pressing the down (v) arrow causes the seat to lower. The seat will continue to lower while the button is pressed or until the lift reaches its lowest extent. If the button is released, the lift will stop moving downward.

### **Clockwise Rotation:**

Pressing the right (>) arrow causes the seat to rotate clockwise. The seat will continue to rotate while the button is pressed. If the button is released, the lift will stop rotating clockwise.

### **Counterclockwise Rotation:**

Pressing the left (<) arrow causes the seat to rotate counterclockwise. The seat will continue to rotate while the button is pressed. If the button is released, the lift will stop rotating counterclockwise.

## **BATTERY CHARGING & INSTALLATION**

The battery comes partially charged, but will need charging after the first several hours of use. Charging time is approximately 12 hours for the first few charges, and four hours after the first two full battery cycles. The lift comes with a battery charger for use in dry locations. Charge the battery as follows:

Plug the battery charger into a standard electrical outlet\*. The green LED on the charger will illuminate, indicating that the charger is on.

Plug the charging cable into the charging port on the battery cradle. Place battery in charging cradle. If the battery is up to the charged voltage, the LED on the charger will stay green. If the charger determines that the battery needs to be charged, the LED on the charger will change to red.

The red LED will turn green when the battery is fully charged. This charger has internal monitoring circuitry that will not overcharge the battery, if the battery is left on the charger for extended periods of time the charger will go into short charging cycles at intervals to keep the charge level at optimal.

### **\*Charger accepts 110 VAC**

When the battery is fully charged, remove it from the charging cradle and install the battery on the lift. The Battery Capacity Indicator on the receiver will show a green LED, indicating that the battery is fully charged and installed properly. When the LED changes to amber the lift is still OK to use. However, when the LED changes to red, or an audible tone is heard during a lift cycle, the battery pack needs to be recharged.

**To keep the battery from discharging to the point of causing damage, it is important to charge the battery at least once monthly, even if the battery has not been installed on the lift.**

After initial break in, the battery should last approximately 90 cycles at the full 300-lb load rating of the lift before it needs recharging. The battery will need to be replaced after 500 to 800 charge cycles or three to four years if properly maintained (approximately 20,000 lifting cycles).

## Care and Maintenance

The following should be performed periodically to ensure safe and dependable use.

1. Remove any discoloration with a 3M scratch pad (stainless steel components only). Wipe clean with a sponge dampened with Spectra Clean. Repeat these steps several times to passivate the stainless steel. Spectra Clean kits are available from Spectrum (Part Number 152161-MT). Do not spray with high-pressure water, only clean with non-chlorinated water.
2. Check all electrical connections – Check any external electrical cables for wear and/or breakage in the outer insulation.
3. Check all mechanical connections – inspect the Nylock nuts on all moving parts and make sure they are snug. Lubricate all pivot points with light oil (3-1).
4. To maintain the battery properly, the battery must be fully charged at least every three months. If the battery goes for longer than three months without a charge, the battery will have reduced capacity.
5. Apply dielectric grease to the battery connections and receiver connections where the battery and receiver meet.

## Troubleshooting

<b>Problem:</b>	<b>Cause:</b>	<b>Solution:</b>
1. Lift will not operate at all:	<p>Low battery (Lift)</p> <p>Damaged Battery</p> <p>Emergency Stop switch in the off (down) position</p> <p>Handset plug not fully connected</p> <p>Receiver malfunction.</p>	<p>Recharge battery</p> <p>Replace battery*</p> <p>Release Emergency Stop switch into the on (up) position</p> <p>Check handset connection</p> <p>Replace receiver</p>
2. The seat will not raise or lower: Lift will not rotate:	<p>Low battery (Amber LED on receiver)</p> <p>Battery not installed properly</p> <p>Actuator/gear motor malfunction</p> <p>Actuator retracted while seat is suspended</p> <p>Cable not fully connected</p>	<p>Recharge battery</p> <p>Reinstall battery</p> <p>Replace receiver*</p> <p>Hold up button for ~20 seconds.</p> <p>Check motor cable connection</p>
3. The seat's motion isn't smooth or sticks at a certain point during travel:	<p>Excessive wear to bearings</p> <p>Excessive wear to actuator</p>	<p>Replace bearings*</p> <p>Replace actuator*</p>
4. The seat travels much slower than normal:	<p>Low battery</p> <p>Defective or worn-out battery</p>	<p>Recharge battery</p> <p>Replace battery*</p>
5. The lift makes much more noise or unusual noises during operation:	<p>Excessive wear to bearings</p> <p>Pivot points galling</p>	<p>Replace bearings*</p> <p>Oil pivots with light oil (3-1)</p>
6. Battery will not charge:	<p>Bad battery (Red LED on charger – not turning orange or green in 4 hours or less)</p>	<p>Replace battery*</p>

\*Please contact your local distributor or Spectrum Customer Service to order parts 406.532.6321