

Lifeguard chair, 5-Foot 6-Inch Dual Step Mendota, part number 2010555

Specifications:

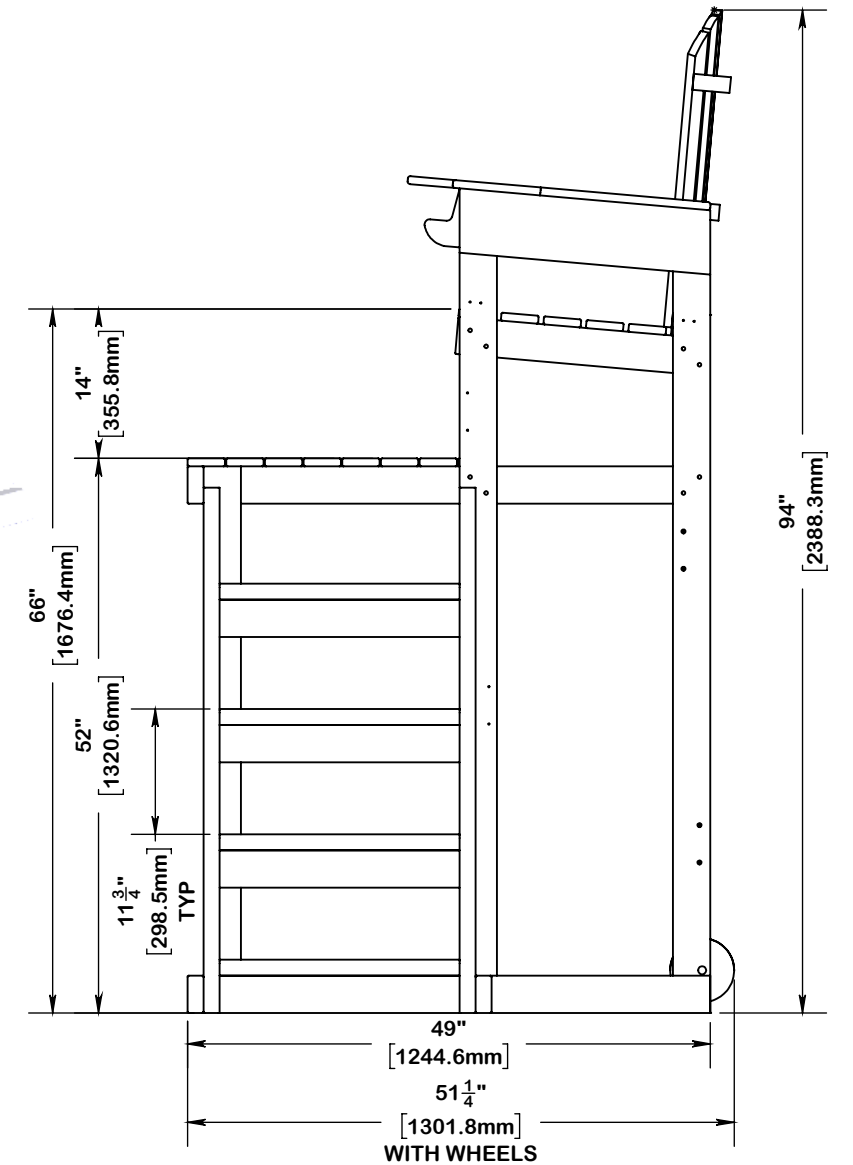
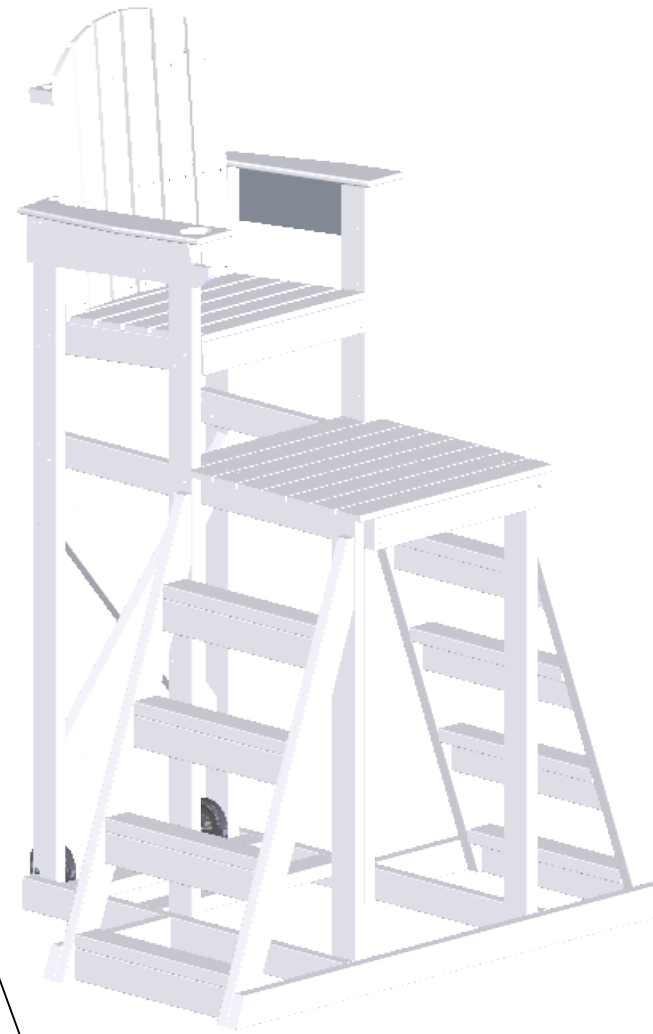
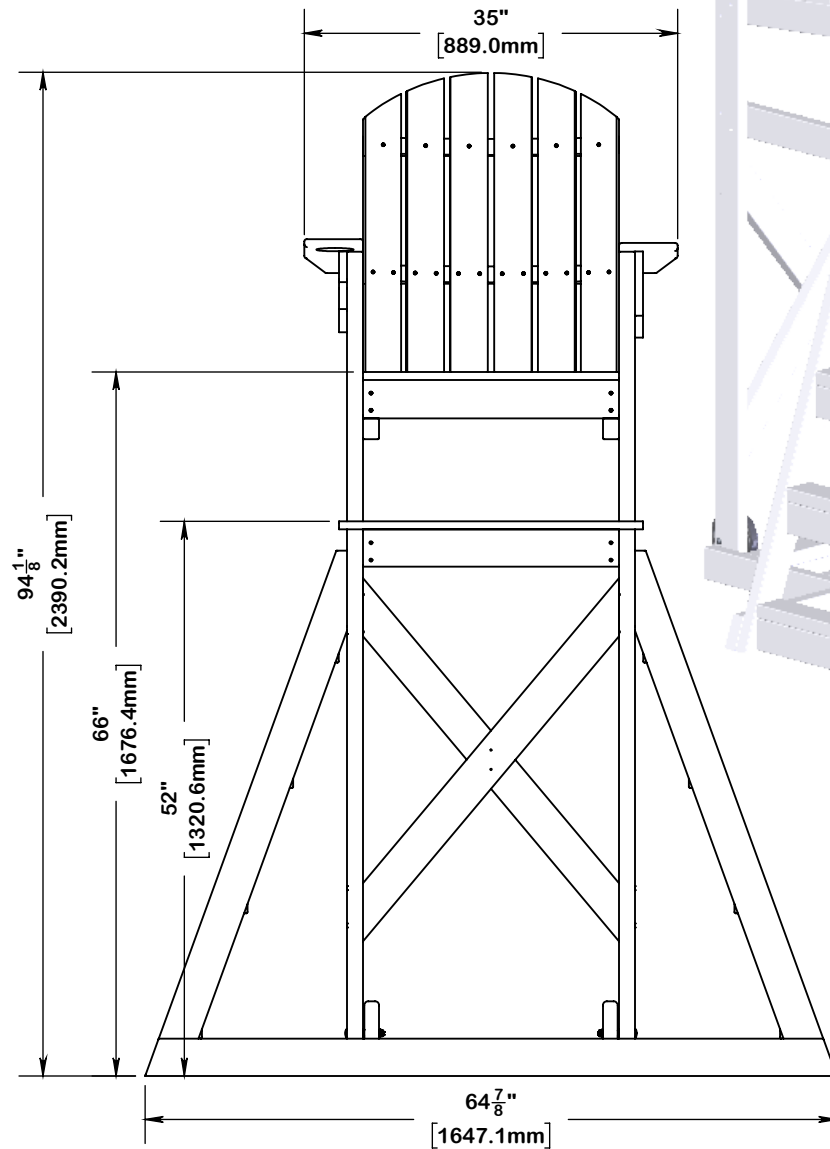
The Mendota lifeguard chair shall be portable. The chair shall be constructed of UV inhibited recycled high-density polyethylene material. The chair seat shall be elevated 5' 6" above the surface of the swimming pool deck. The chair shall include a cup holder in one of the armrests and an umbrella holder behind the back of the seat. The chair shall include a pair of wheels for transport.

Lifeguard Chair Frame

The lifeguard chair frame shall be fabricated of high-density polyethylene material. All joints shall be secured using 316 series stainless steel through bolts and 316 series stainless steel wood screws. The lifeguard chair includes two sets of four steps and one platform for access. Standard colors available in white and sand.

Warranty

Spectrum Standard.



SPECTRUM
Aquatics

A PLAYCORE Company

7100 Spectrum Lane Missoula, Montana 59808
800.791.8056 www.spectrumaquatics.com

ENGINEERING DATA

PRODUCT:	MENDOTA 5'-6" - DUAL STEP -			
MODEL #:	2010555	CATALOG #:	2010555	REVISION: A
MATERIAL:	RECYCLED HDPE			
FINISH #:	WHITE OR SAND			

NOTE:

⚠ DIMENSIONS VARY WITH SPECIFIC APPLICATIONS. SPECIFICATIONS ARE NOMINAL AND ARE SUBJECT TO CHANGE. PLEASE CONTACT SPECTRUM AQUATICS FOR CUSTOM APPLICATIONS