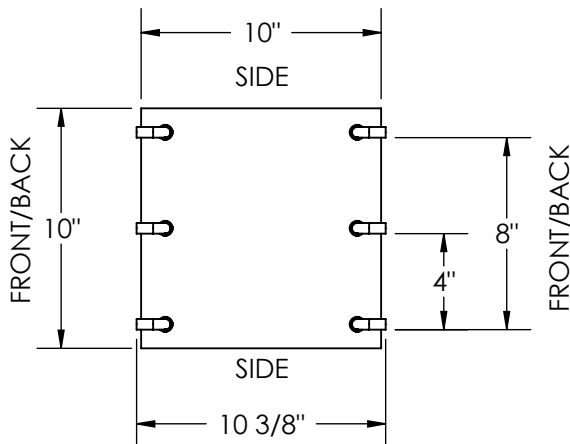
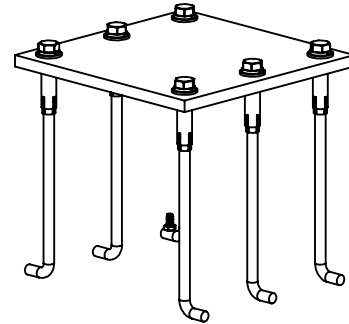
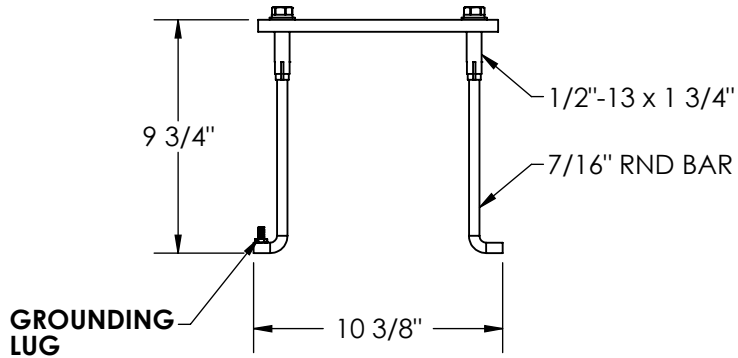


## PERMANENT LIFEGUARD CHAIRS MODEL - SAPPHIRE ANCHOR



**NOTE:**

**1** DIMENSIONS VARY WITH SPECIFIC APPLICATIONS.  
SPECIFICATIONS ARE NOMINAL AND ARE SUBJECT TO CHANGE.  
PLEASE CONTACT SPECTUM PRODUCTS FOR CUSTOM APPLICATIONS.

**SPECTRUM**  
Products

7100 Spectrum Lane  
Missoula, Montana 59808  
406.542.9781 \* 800.791.8056  
Fax: 406.542.1158  
www.spectrumproducts.com

### ENGINEERING DATA

PRODUCT:	SAPPHIRE ANCHOR
PRODUCT #:	20021
REVISION:	A
MATERIAL:	304 SERIES STAINLESS STEEL