

4

3

2

DWG. NO. 28515-00 SH. 1 REV. A

REVISIONS

ZONE	REV.	DESCRIPTION	DATE	APPROVED
	A	PRODUCTION	2/23/2012	ENG. DEPT.

D

C

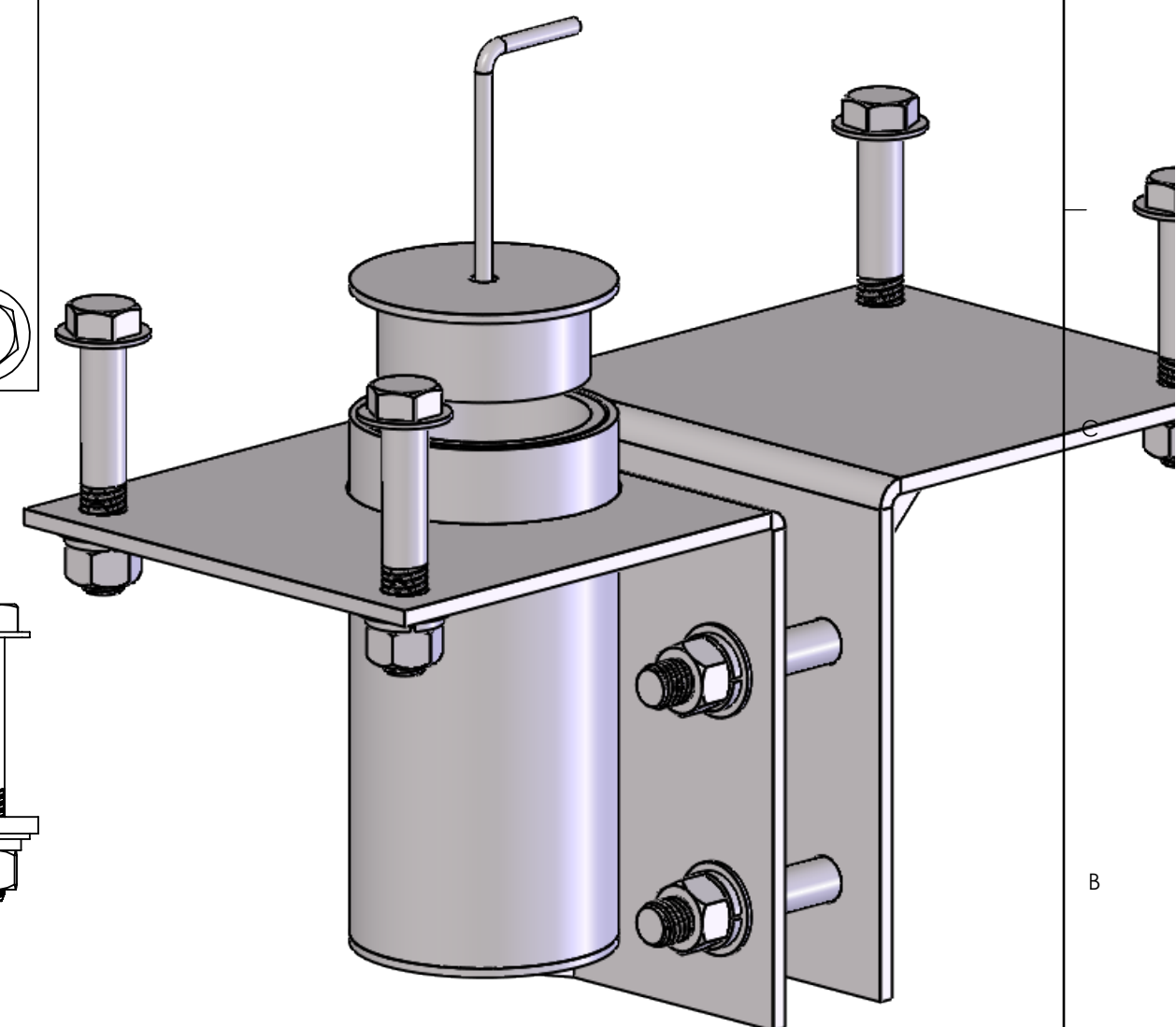
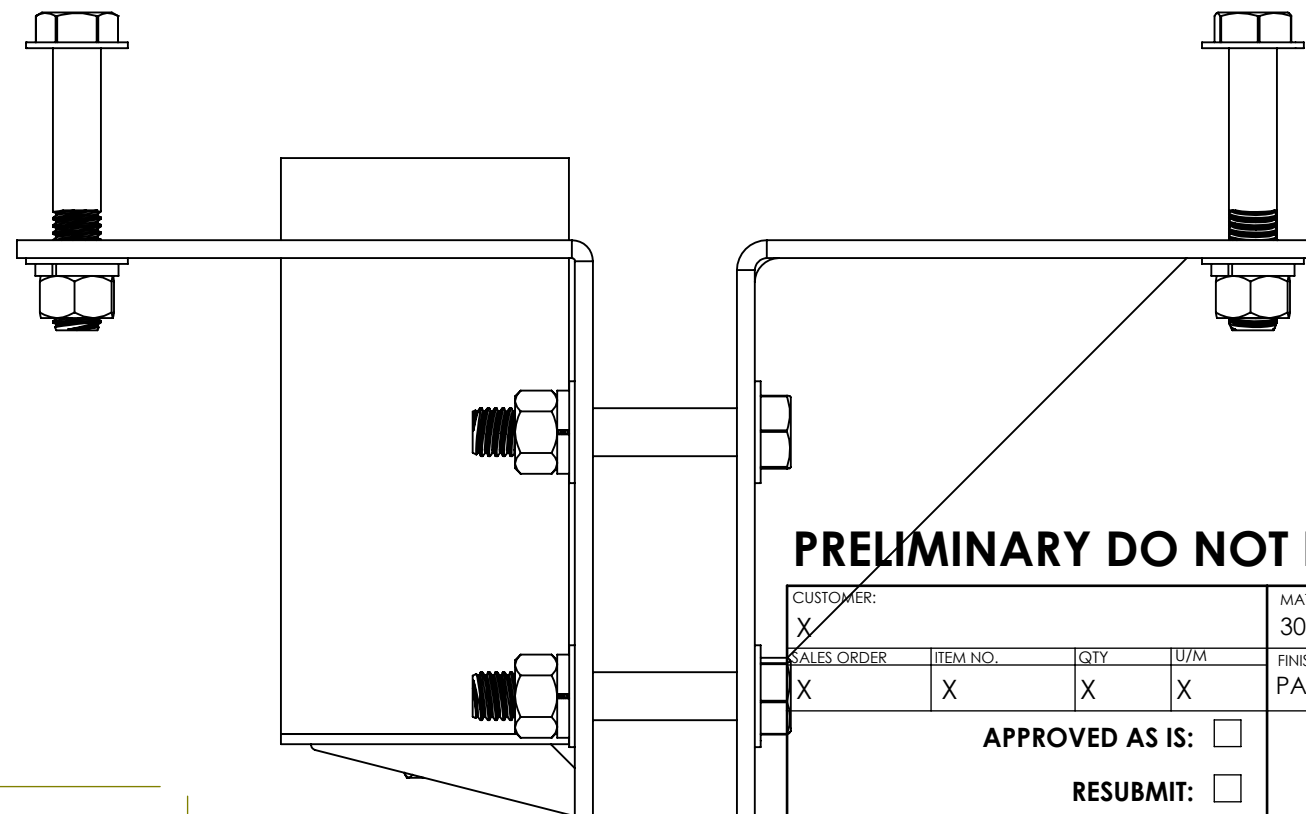
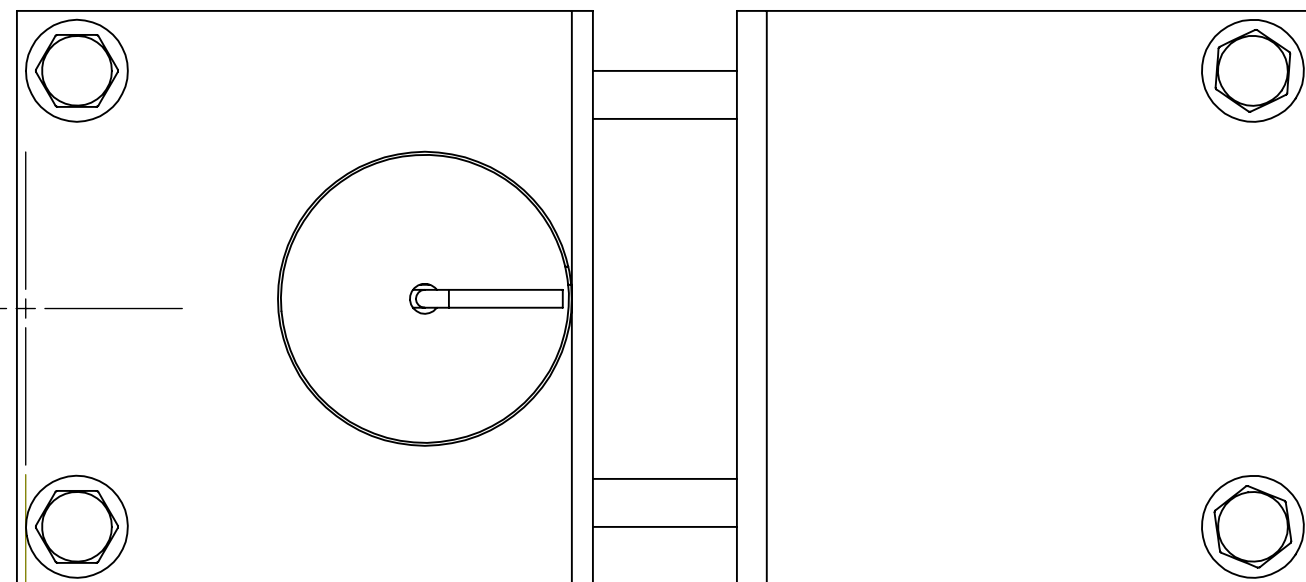
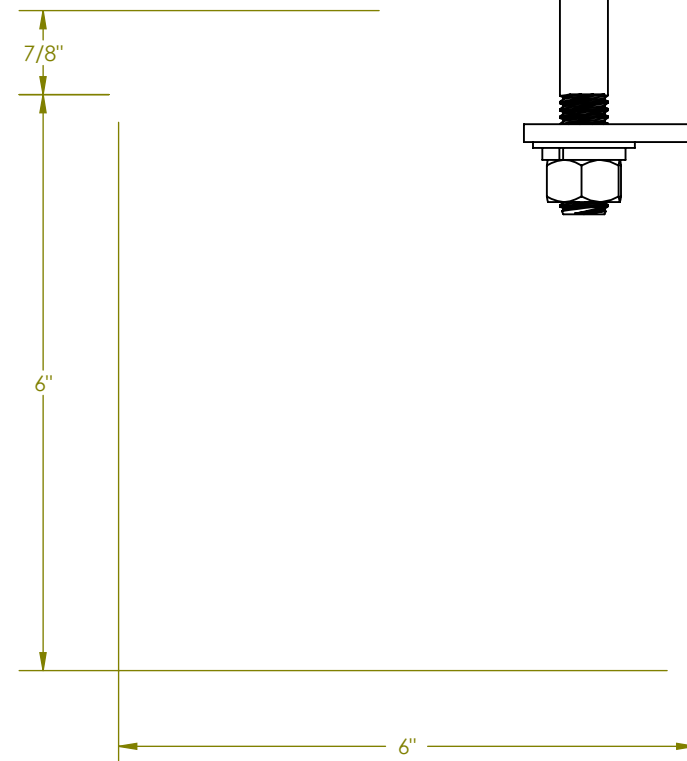
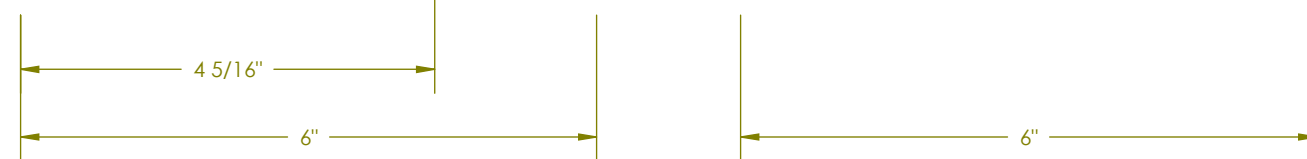
B

A

D

B

A



PRELIMINARY DO NOT FABRICATE

CUSTOMER:	X		
SALES ORDER	ITEM NO.	QTY	U/M
X	X	X	X

MATERIAL
300 SERIES STAINLESS STEEL

FINISH
PASSIVATE IAW ASTM A967

APPROVED AS IS:

RESUBMIT:

BY: _____

DATE: _____

PROPRIETARY AND CONFIDENTIAL
THE INFORMATION CONTAINED IN THIS DRAWING IS THE SOLE PROPERTY OF SPECTRUM PRODUCTS LLC. ANY REPRODUCTION IN PART OR AS A WHOLE WITHOUT THE WRITTEN PERMISSION OF SPECTRUM PRODUCTS LLC. IS PROHIBITED.



TITLE:
WOOD DECK ANCHOR
ELKHORN

UNLESS OTHERWISE SPECIFIED: DO NOT SCALE DRAWING

THIRD ANGLE PROJECTION

DIMENSIONS ARE IN INCHES
TOLERANCES:
FRACTIONAL ± 1/16
ANGULAR: ± 1°
X.X = ± .1
X.XX = ± .01
X.XXX = ± .005

DEBUR AND BREAK SHARP EDGES

SIZE	DWG. NO.	REV
B	28515-00	A
SCALE: 1:2	MASS: 14.65	SH. 1 OF 2

THIS IS YOUR SUBMITTAL. SPECTRUM PRODUCTS HAS MADE EVERY EFFORT TO DESIGN TO YOUR SPECIFICATIONS. PLEASE REVIEW THIS SUBMITTAL THOROUGHLY. SPECTRUM PRODUCTS CANNOT BE RESPONSIBLE FOR ERRORS AFTER THE SUBMITTAL(S) HAS BEEN SIGNED AND APPROVED BY YOU AND/OR YOUR CUSTOMER. PLEASE INSURE ALL DIMENSIONS ARE ACCURATE AND CORRECT. IT IS THE SOLE RESPONSIBILITY OF THE CUSTOMER TO ENSURE THAT THE PRODUCT MEETS ALL APPLICABLE CODES.

4

3

2

1