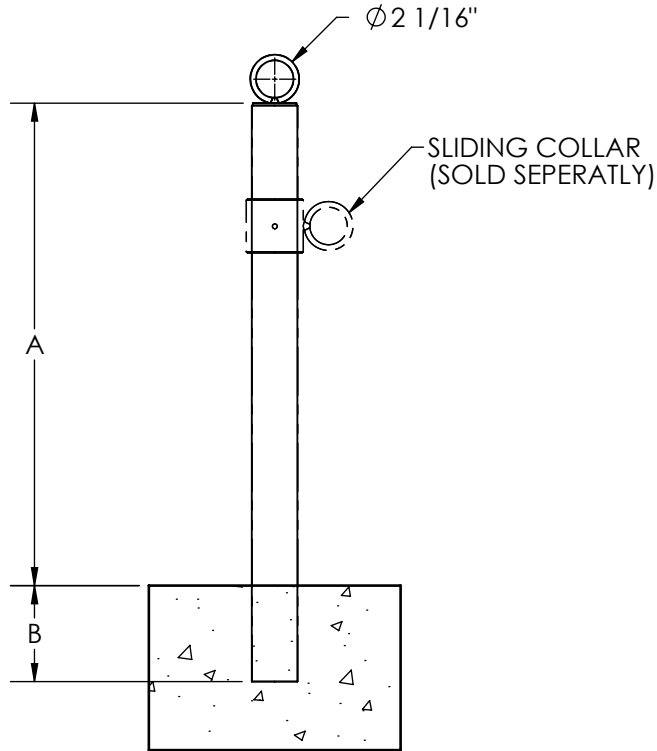


# MEASURE GUIDE CUSTOM STANCHION POST FORM MG-SPD



**NOTE:**

Field measurements are required for the product you wish to order. Please provide accurate measurements to eliminate delays or errors in the design and manufacturing.

	DESCRIPTION	MEASUREMENT
A	HEIGHT	
B	ANCHOR DEPTH	

X	MATERIAL
	1.90"x.065" 304 SERIES S.S. TUBE
	1.90"x.109" 304 SERIES S.S. TUBE
	1.90"x.145" 304 SERIES S.S. TUBE
	1.90"x.065" 316 SERIES S.S. TUBE
	1.90"x.109" 316 SERIES S.S. TUBE
	1.90"x.145" 316 SERIES S.S. TUBE
	1.50"x.120" 316 SERIES S.S. TUBE



7100 Spectrum Lane  
Missoula, Montana 59808  
406.542.9781 \* 800.791.8056  
Fax: 406.542.1158  
www.spectrumproducts.com

Submitted By: \_\_\_\_\_

Signature: \_\_\_\_\_

Date: \_\_\_\_\_