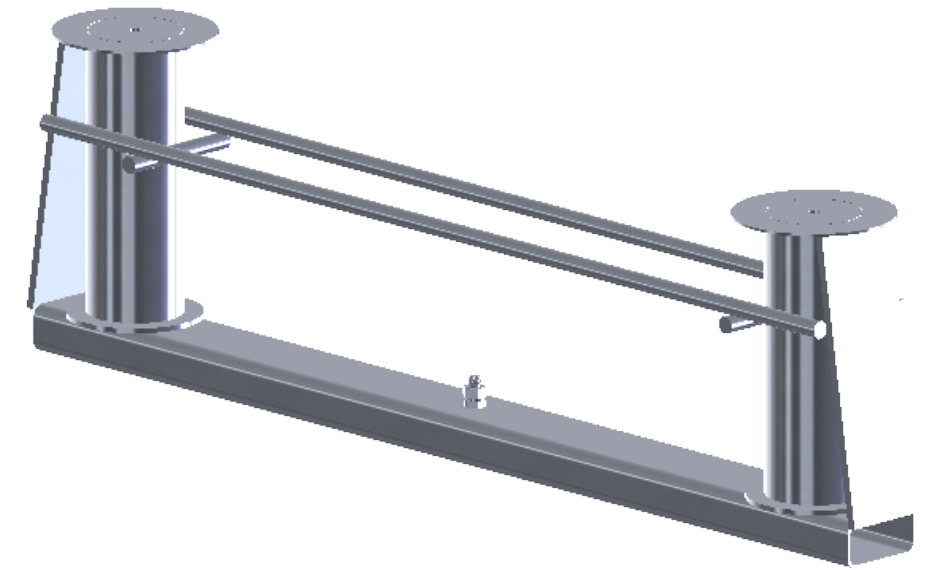


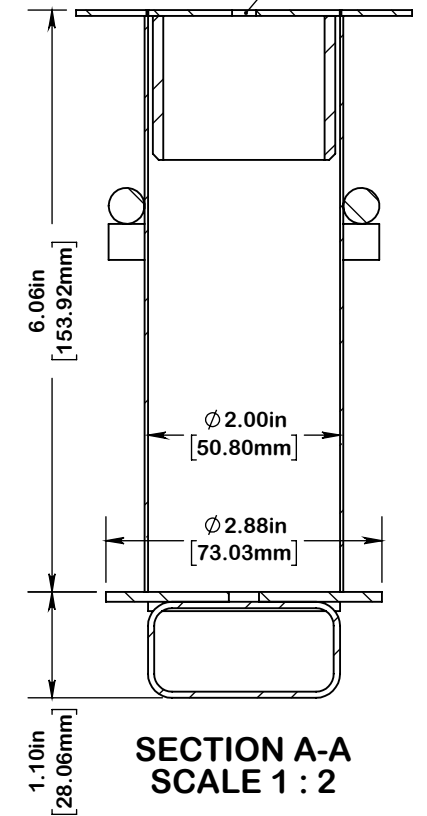
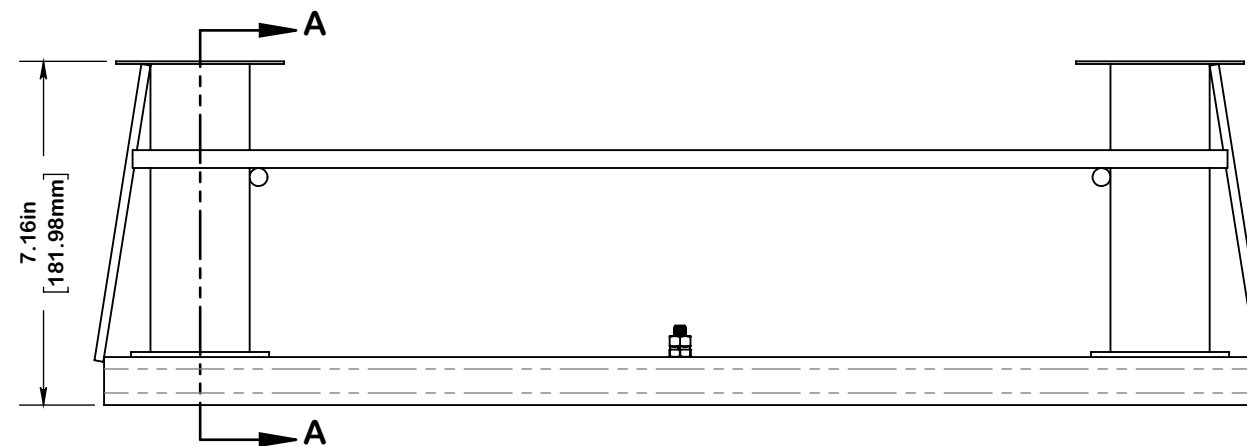
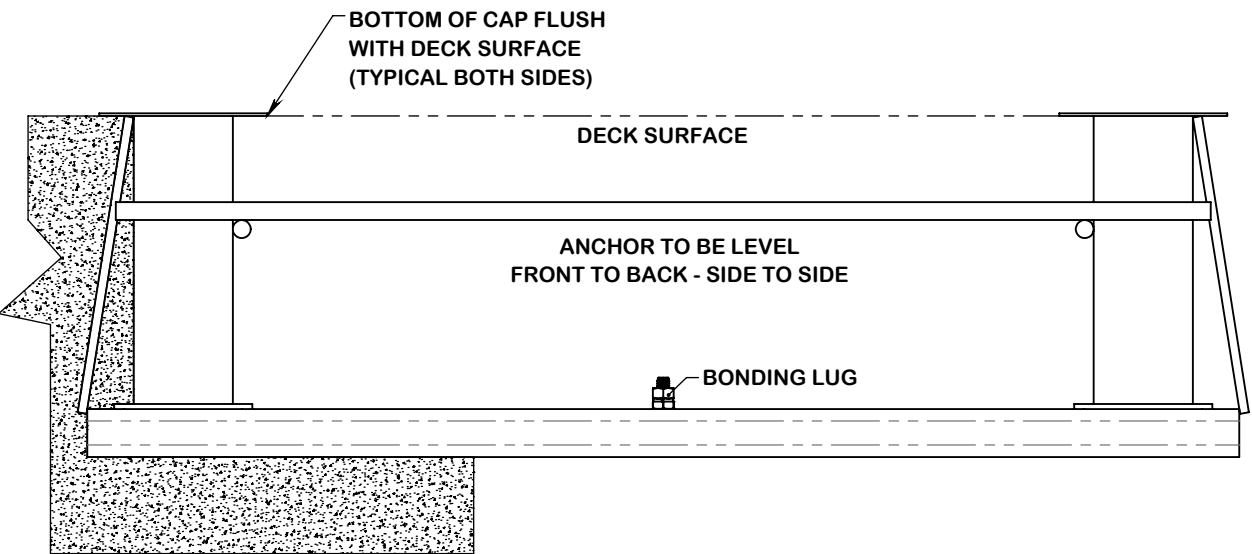
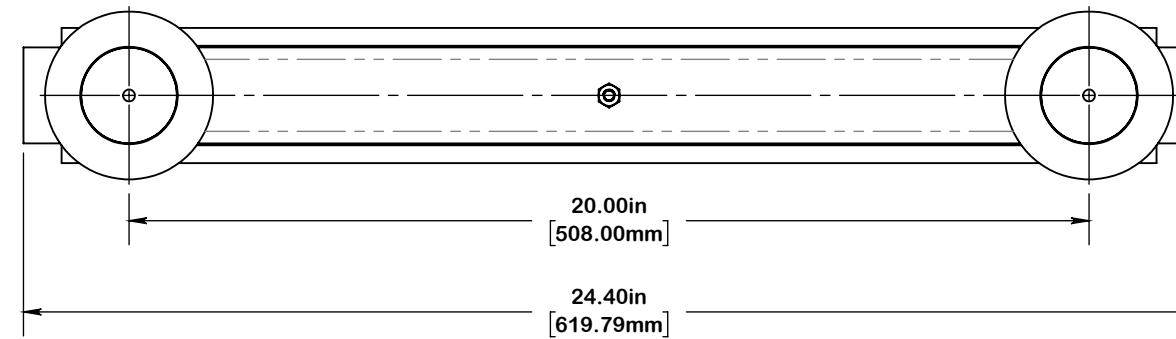
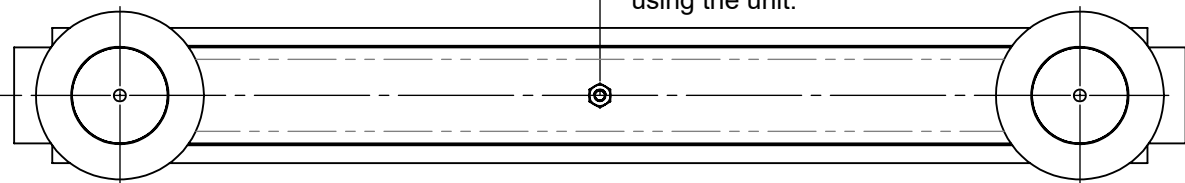
ANCHOR SETBACK
POOL WALL TO Q OF ANCHOR

Q OF RACELINE TILE MARKERS

1. Determine the desired location for the platform(s). Generally the starting platform will be installed on center of the racing line tile markers installed in the swimming pool. Refer to the measuring guide for the anchor set back distance. This distance is provided by the Architect. If platforms have already been ordered, this dimension may have already been determined. If this is the case, refer to the approved submittal drawings provided by Spectrum.
2. Locate a bonding source to bond (ground) the anchor. The steel rebar-bonding grid of the pool deck is the best choice for bonding the anchor. Attach a No. 8 solid copper wire (NEC Section 680-22) from the bonding bolt on the base of the anchor to the bonding grid.
3. Secure anchor in place - proper height - anchor may be mudded in place. Set the anchor so that the finished top is flush to deck level.
4. Use a level to insure the anchor is be vertically plumb.
5. Insert anchor cap to make sure concrete does not enter anchor.
6. Pour concrete deck and finish. Allow the concrete to cure for at least 7-days before installing and using the unit.



ANCHOR CAP
CAP REMOVAL TOOL (INCLUDED)



SPECTRUM
Aquatics

A PLAYCORE Company

7100 Spectrum Lane Missoula, Montana 59808
800.791.8056 www.spectrumaquatics.com

ENGINEERING DATA

PRODUCT:	ANCHOR - 6in DUAL POST 1.90 -			
MODEL #:	24070	CATALOG #:	24070	REVISION: A
MATERIAL:	304L STAINLESS STEEL			
FINISH #:	600 GRIT			

NOTE:

△ DIMENSIONS VARY WITH SPECIFIC APPLICATIONS. SPECIFICATIONS ARE NOMINAL AND ARE SUBJECT TO CHANGE. PLEASE CONTACT SPECTRUM AQUATICS FOR CUSTOM APPLICATIONS