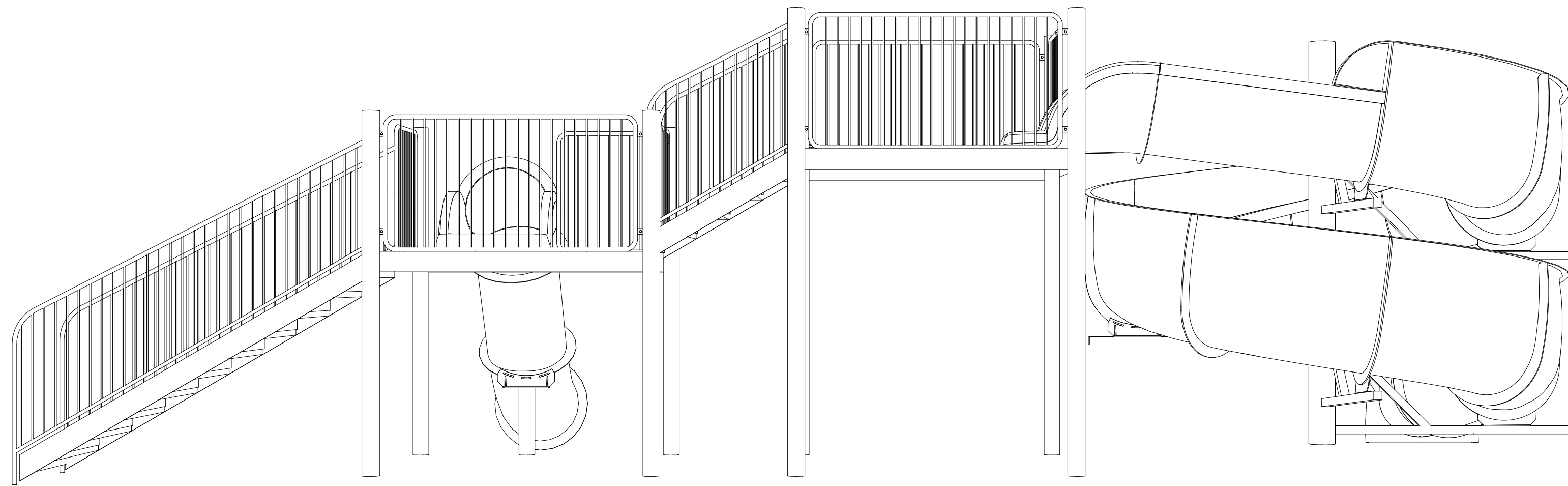
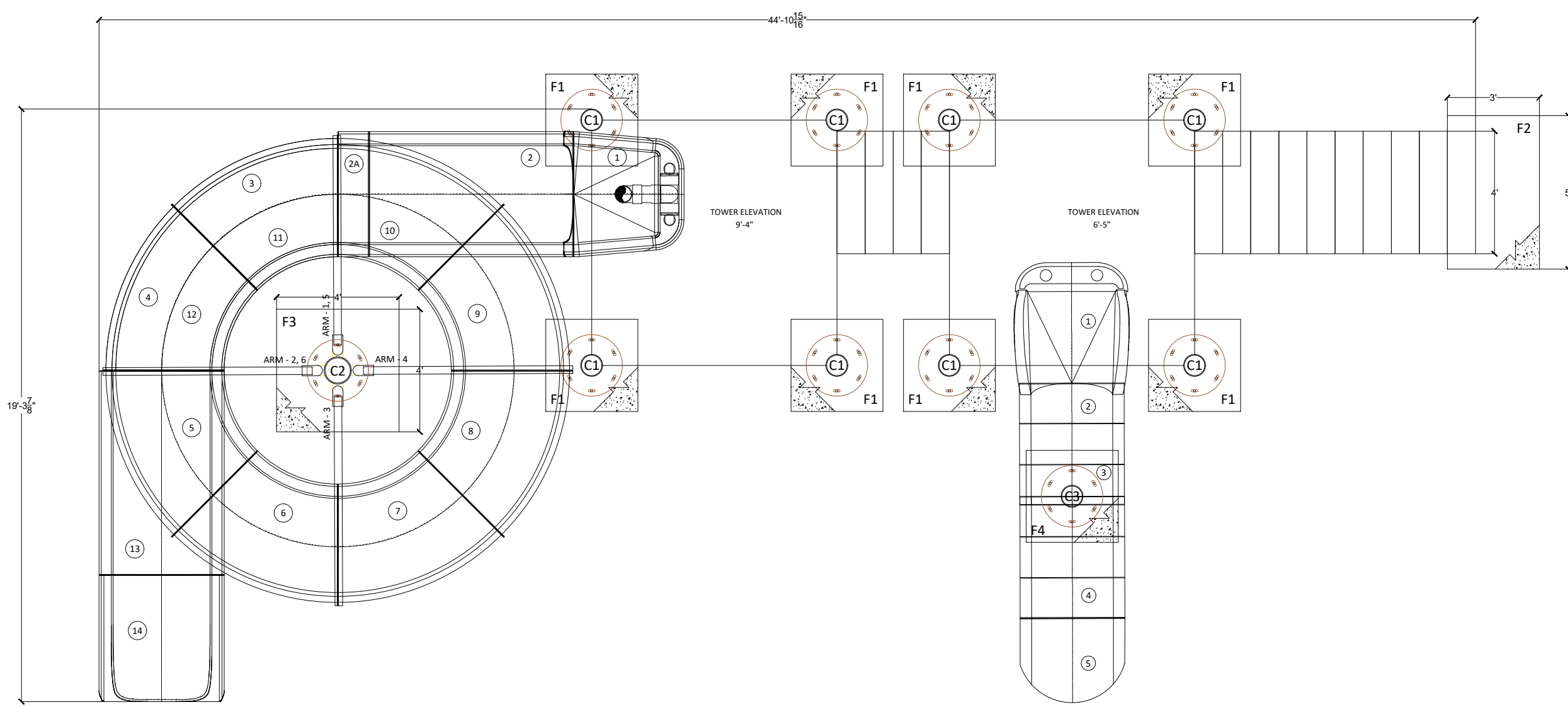


1 FRONT ELEVATION  
SCALE: N.T.S.



2 REAR ELEVATION  
SCALE: N.T.S.



3 PLAN  
SCALE: 1/2"=1'-0"

SLIDE "A" OPEN FLUME SEGMENTS LIST

ID	PART #	CONFIGURATION	LENGTH
1	3-7-5 ENT	START TUB	3'-11.5 1/8"
2	6-8-5 STR	LONG STRAIGHT	6'-8"
2A	1-1-5 DECOR	CUSTOM STRAIGHT	1'-0"
3	A65-S-5	45° WITH 5'-0" RADIUS	4'-6.5 3/16"
4	A65-S-5	45° WITH 5'-0" RADIUS	4'-6.5 3/16"
5	A65-S-5	45° WITH 5'-0" RADIUS	4'-6.5 3/16"
6	A65-S-5	45° WITH 5'-0" RADIUS	4'-6.5 3/16"
7	A65-S-5	45° WITH 5'-0" RADIUS	4'-6.5 3/16"
8	A65-S-5	45° WITH 5'-0" RADIUS	4'-6.5 3/16"
9	A65-S-5	45° WITH 5'-0" RADIUS	4'-6.5 3/16"
10	A65-S-5	45° WITH 5'-0" RADIUS	4'-6.5 3/16"
11	A65-S-5	45° WITH 5'-0" RADIUS	4'-6.5 3/16"
12	A65-S-5	45° WITH 5'-0" RADIUS	4'-6.5 3/16"
13	6-8-5 STR	LONG STRAIGHT	6'-8"
14	6-11-5 ENT	END TUB	4'-9.5 1/2"

SLIDE "B" ENCLOSED FLUME SEGMENTS LIST

ID	PART #	CONFIGURATION	LENGTH
1	3-11-5 ENT	ENCLOSED START TUB	3'-11.5 1/8"
2	A65-S-6-E	45° WITH 3'-0" RADIUS	2'-3"
3	1-2-5 STR	CUSTOM STRAIGHT	4'-0"
4	A65-S-6-E	45° WITH 3'-0" RADIUS	4'-3.7 3/8"
5	6-8-5 ENT	ENCLOSED END TUB	1'-6"

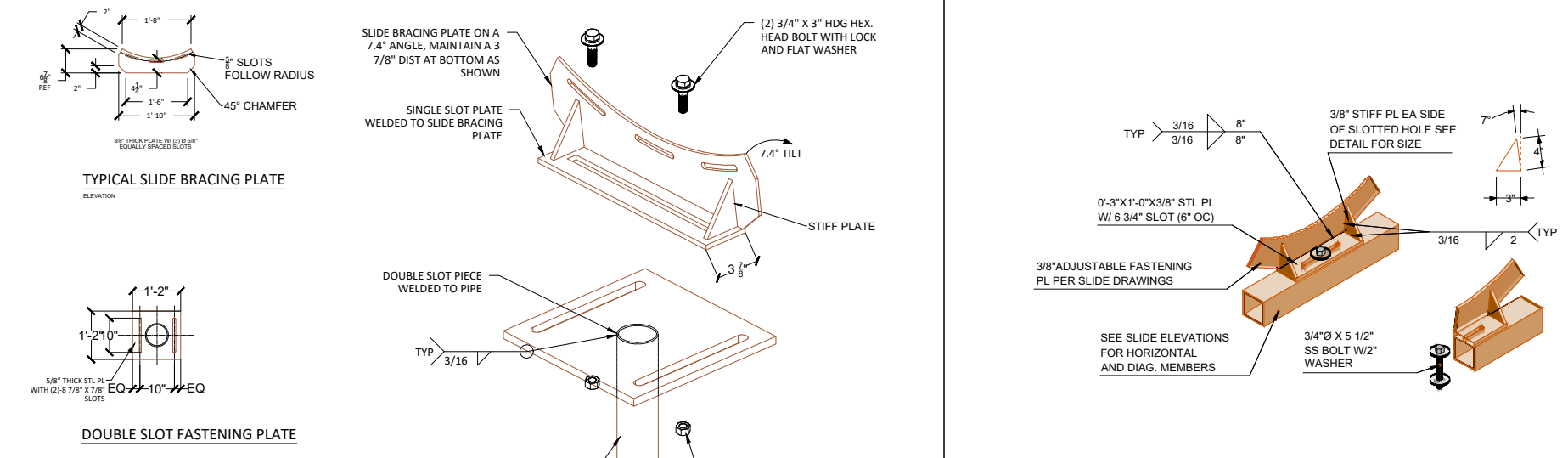
FOOTER SCHEDULE

ID	FUNCTION	LENGTH	WIDTH	DEPTH	BOTTOM REIN (LONG WAY)	BOTTOM REIN (SHORT WAY)	ELEVATION
F1	PLATFORM SUPPORT COLUMN (R)	3'-0"	3'-0"	3'-0"	6" O.C. #5	6" O.C. #5	TBD
F2	SLIDE ARMING	3'-0"	3'-0"	3'-0"	TBD	TBD	TBD
F3	SLIDE ARM SUPPORT COLUMN	4'-0"	4'-0"	3'-0"	6" O.C. #5	6" O.C. #5	TBD
F4	ENCLOSED SLIDE SUPPORT COLUMN	3'-0"	3'-0"	3'-0"	6" O.C. #5	6" O.C. #5	TBD

NOTE: SEE BAWLS-1 FOR SCHEDULE DETAIL.  
ALL FOOTER SCHEDULES ARE ESTIMATES AND ARE SUBJECT TO CHANGE UPON ENGINEERING.

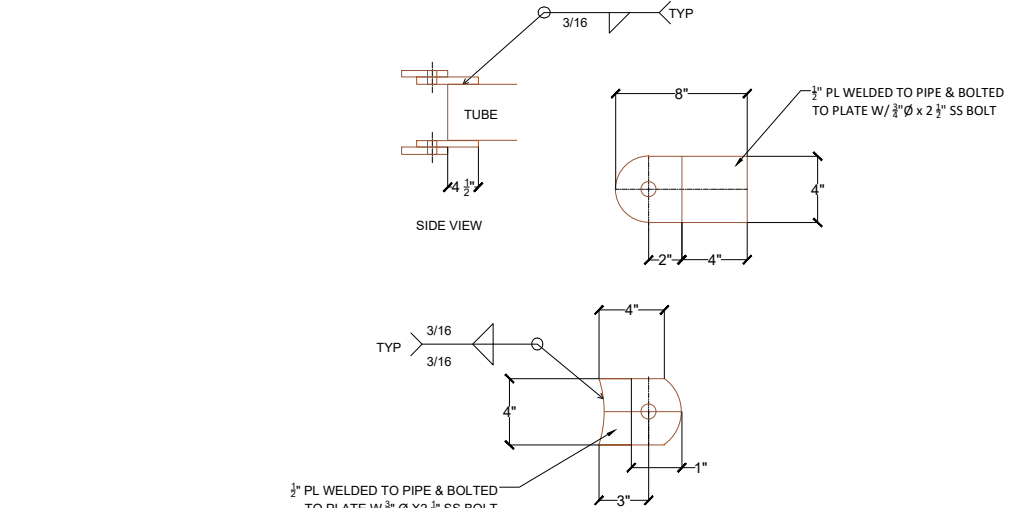
COLUMN AND SUPPORT ARM SCHEDULE

TOP OF FOOTER	COLUMN ID	COLUMN DIAMETER	COLUMN HEIGHT	ELEV.
PENDING	C1	8"	13'-4"	PENDING
PENDING	C2	10"	13'-0"	PENDING
PENDING	C3	8"	13'-0"	PENDING

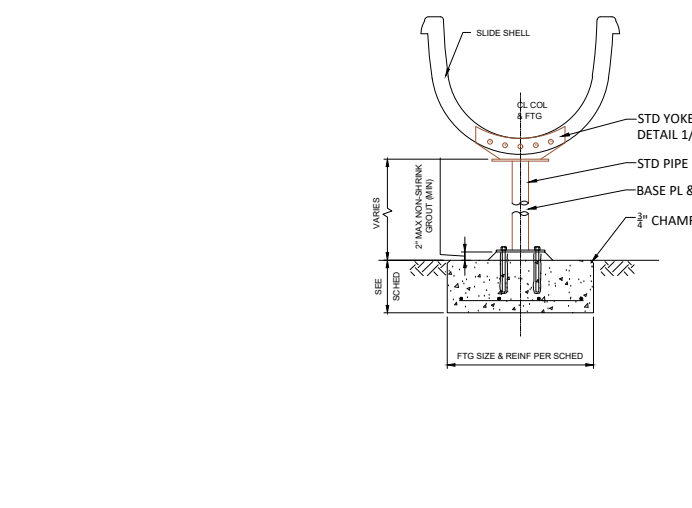


5 YOKE PLATE DETAIL  
SCALE: N.T.S.

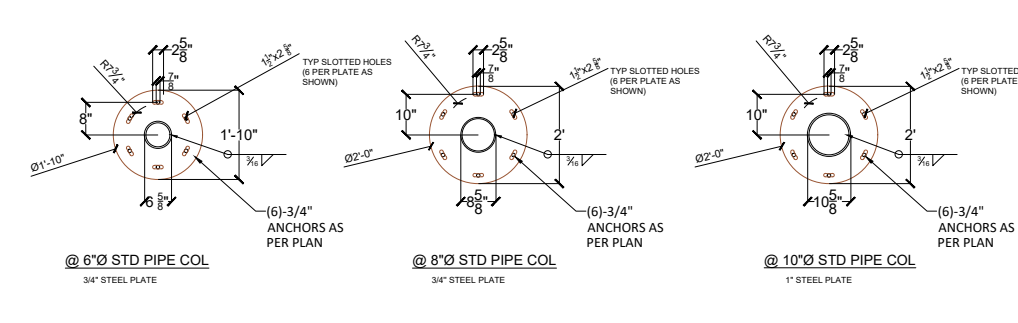
9 ARM & FASTENING PLATE ISOMETRIC VIEW  
SCALE: N.T.S.



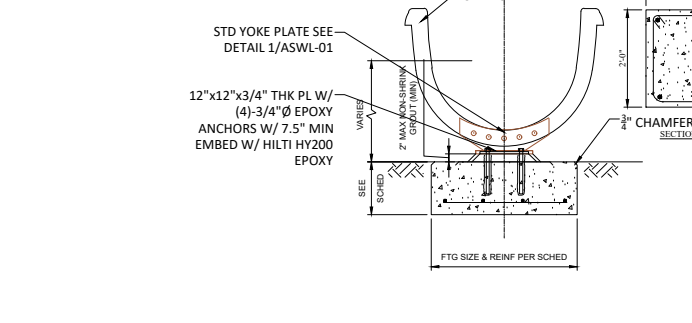
6 HOR. ARM BRACKET DETAIL  
SCALE: N.T.S.



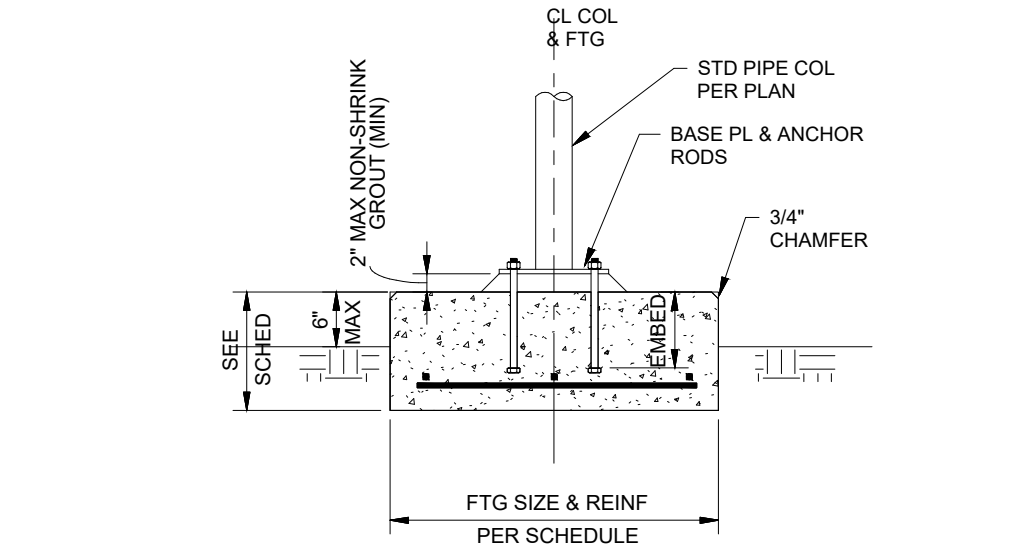
10 YOKE PLATE SECTION ON COLUMN  
SCALE: N.T.S.



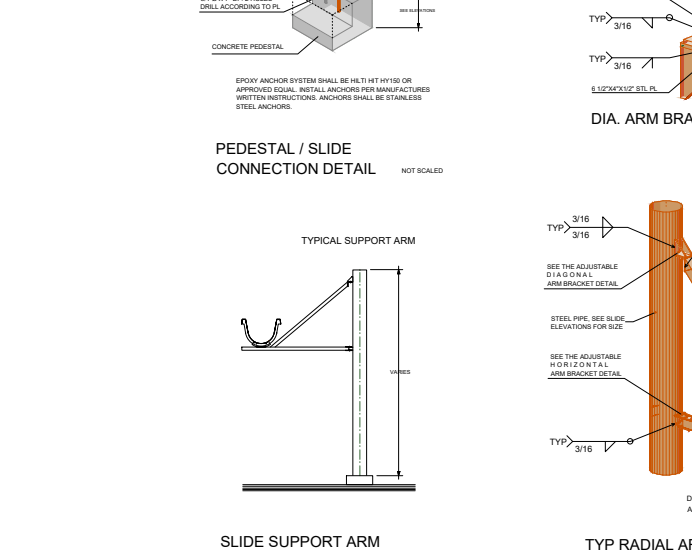
7 BASE PLATE DETAILS  
SCALE: N.T.S.



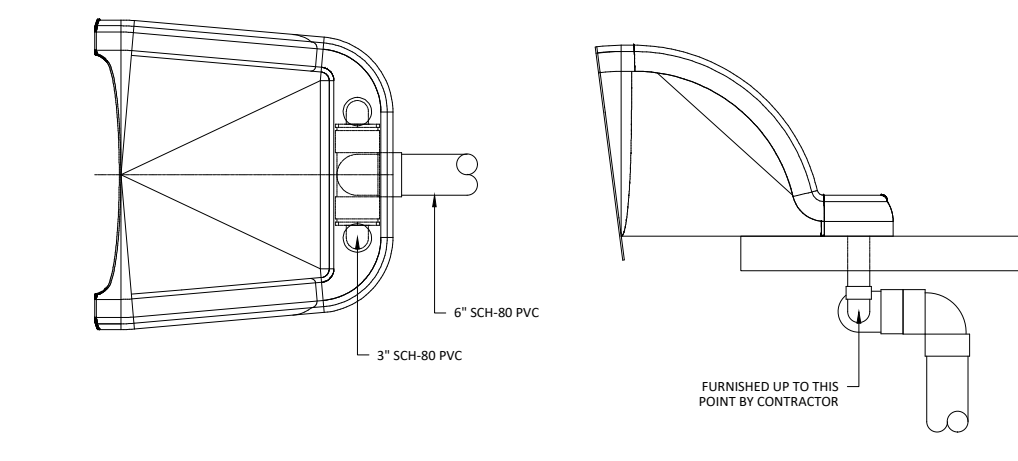
11 YOKE PLATE SECTION ON CONCRETE PIER  
SCALE: N.T.S.



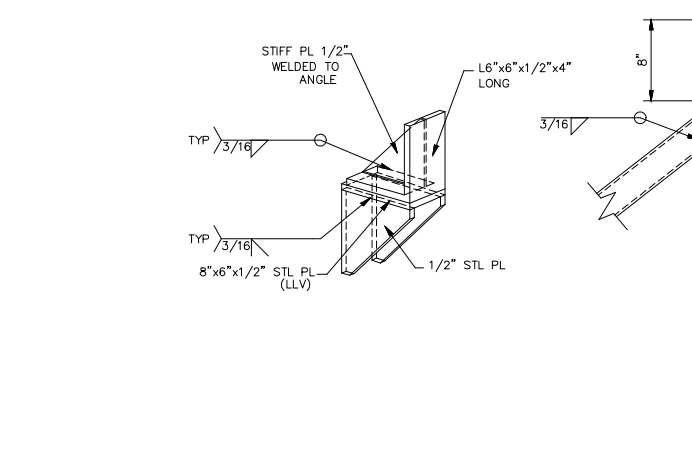
8 COLUMN FOUNDATION  
SCALE: N.T.S.



12 DETAILS  
SCALE: N.T.S.



13 PLUMBING DETAIL  
SCALE: N.T.S.



15 DIAG. ARM BRACKET DETAIL  
SCALE: N.T.S.



DOUBLE SLIDE OPTION OPEN & ENCLOSED  
SCALE: 1/2" = 1'-0" DRAWN BY: C.P.S.  
DATE: - REVIEWED BY: S.B.  
DRAWING NAME/NUMBER: AWSLS - 6

ENGINEER OF RECORD  
REVISION NUMBER  
REV DATE  
REVISION DESCRIPTION  
BY  
C.P.S.

NOTES

10601 OAK STREET N.E.  
ST. PETERSBURG, FL 33716  
(888) 426-8511

(OPEN FLUME)  
67'-10", PLATFORM HEIGHT 9'-4"  
500 GPM CAPACITY, 6" FEED LINE

(ENCLOSED FLUME)  
17'-1", PLATFORM HEIGHT 6'-5"  
300 GPM CAPACITY, 6" FEED LINE